

PRODUCT / PRODUIT

SYSTÈME INTÉGRA

SERIE / SÉRIE

7000

MODEL / MODÈLE

INT7000-IS

DESCRIPTION

LIGHT METAL FRAME
FOR SINGLE DOOR
WITH INWARD SWING

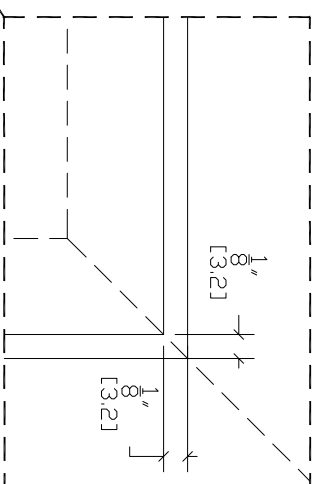
DATE

SCALE / ÉCHELLE

VARIOUS SCALES /
ÉCHELLES VARIÉES

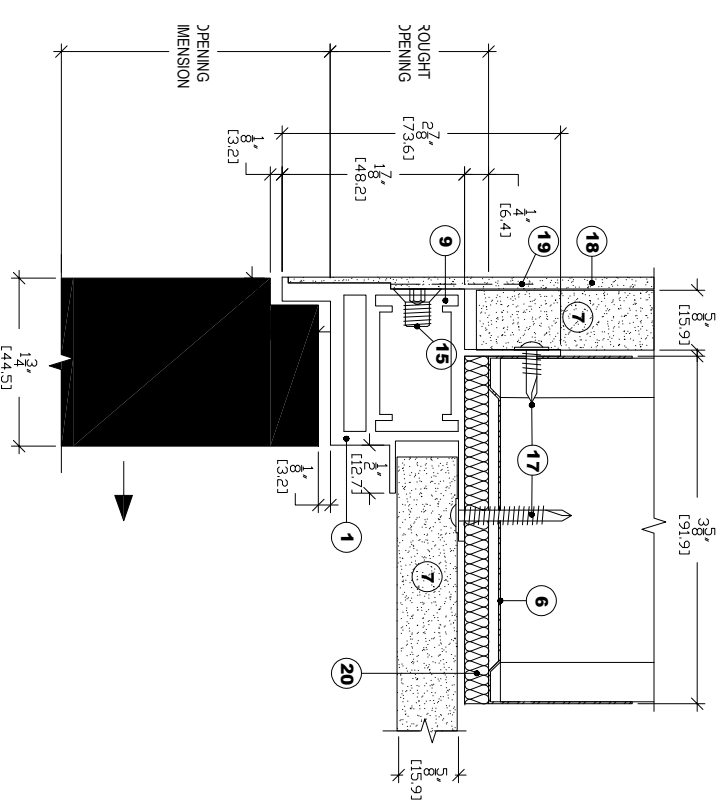
FILE NAME / NOM FICHER

DORR_INT7000-IS-FR

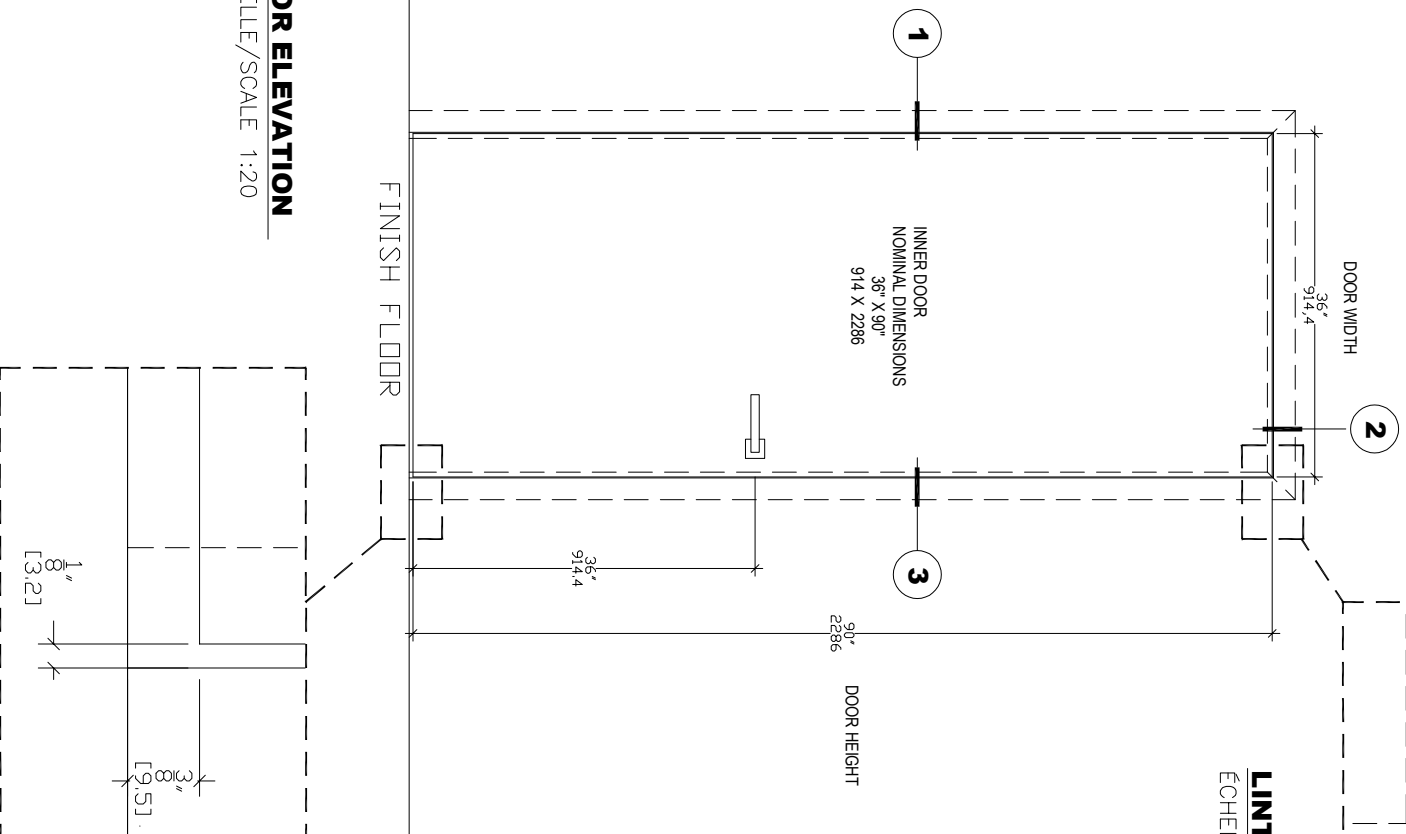


LINTEL & JAMB CORNER
ÉCHELLE/SCALE 1:1

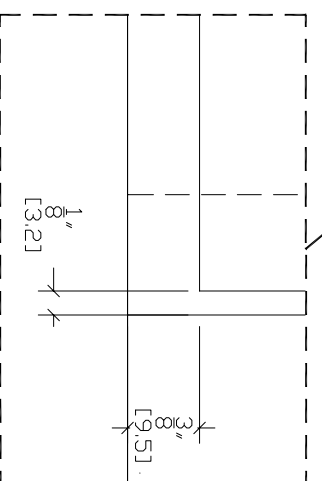
- LEGEND**
- 1 ALUMINIUM FRAME
 - 2 WOODEN DOOR
 - 3 WOOD STUD
 - 4 METAL STUD
 - 5 WOOD LINTEL
 - 6 METAL SILL PLATE
 - 7 5/8" GYPSUM
 - 8 L-SECTION EXTRUDED ALUMINIUM BARS
 - 9 SLIDE-IN L-SHAPED ASSEMBLY FITTING
 - 10 CONCEALED HINGE
 - 11 MORTISE LOCK
 - 12 LOCKING BOLT
 - 13 RECESSED STRIKE IN FRAME
 - 14 BUTTON HANDLE
 - 15 ASSEMBLY SCREWS
 - 16 WOOD FASTENING SCREWS
 - 17 LIGHT METAL FASTENING SCREWS
 - 18 JOINT COATING
 - 19 JOINT TAPE
 - 20 FIBROUS INSULATION (OPTIONAL)
 - 21 WALL FINISH PANEL
 - 22 WEDGE IN LINE WITH FIXING SCREW



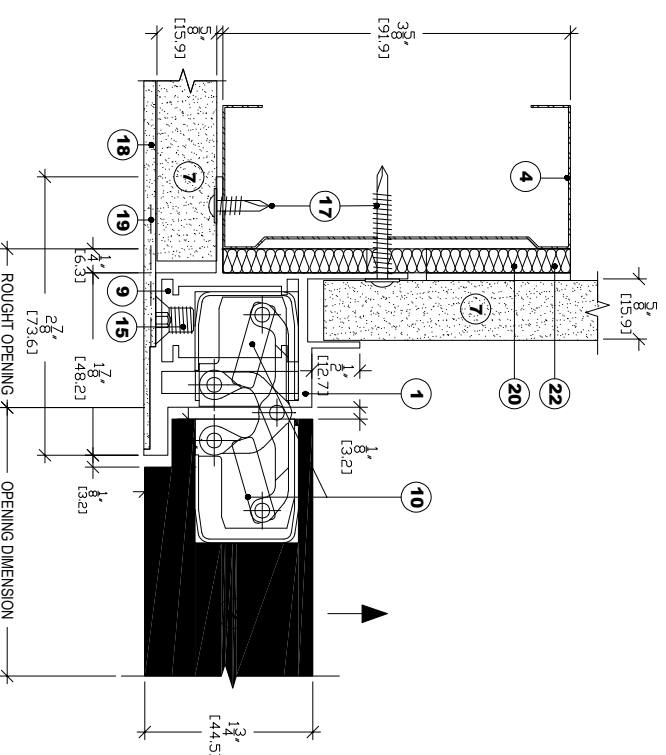
2 DOOR LINTEL
ÉCHELLE/SCALE 1:2



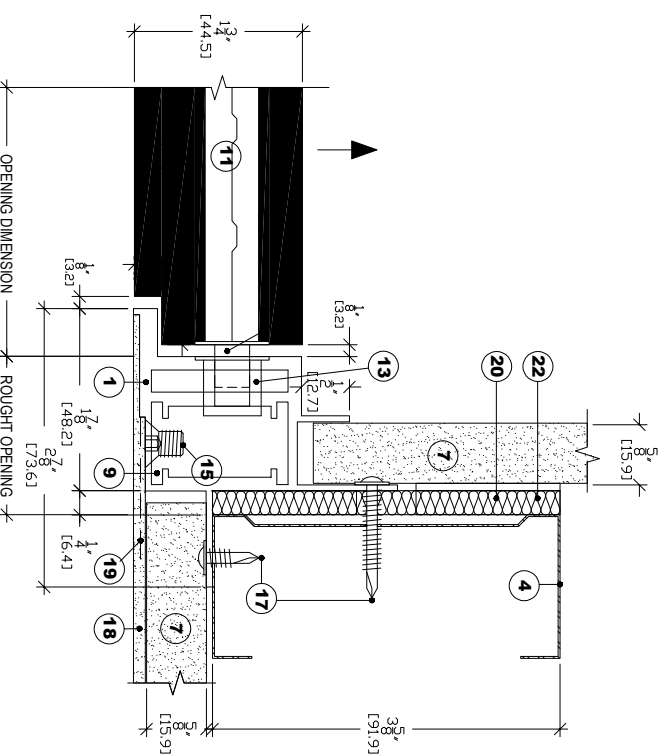
DOOR ELEVATION
ÉCHELLE/SCALE 1:20



BOTTOM DOOR GAP
ÉCHELLE/SCALE 1:1



1 JAMB (HINGE SIDE)
ÉCHELLE/SCALE 1:2



3 JAMB (LATCH SIDE)
ÉCHELLE/SCALE 1:2