



# INTEGRA INSTALLATION GUIDE

Version: January 2022

*Congratulations! You will soon be one of the numerous satisfied customers with their INTEGRA Flushwall door system. We thank you for the confidence you have shown in our product.*

- The DÖRR INDUSTRIES team

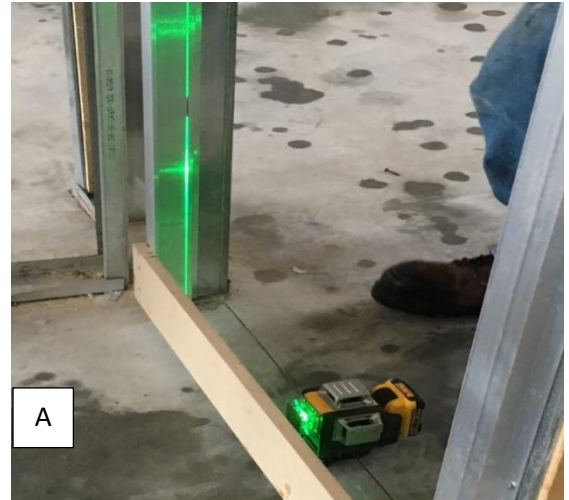


## Table of contents

1-INTEGRA FRAME .....	3
2-DOOR.....	6
3-HINGES .....	7
4-LATCH .....	10
5-DOOR CLOSER.....	11
6-SMOKE BARRIER .....	11
7-DOOR THRESHOLD.....	11

# 1-The Integra Frame

- 1 Insert the frame into the rough opening.
- 2 Plumb the frame starting with the top. (Figure A)  
Best to use a laser for it.



- 3 Install shims to firmly set the frame in the rough opening. (Figure B)



- 4 Fasten the frame to the structure using #8 1 ¼" self-tapping screws. Position the screws opposite the hinges, 100 mm from the outside edges of the frame. Distance between screws should not exceed 400 mm.



5. Remove all the pieces of wood used for spacing and squaring the Integra frame for transportation

- 6- Before installing the drywall panels, make sure the frame is **squared and plumbed**. Neglecting to do this could affect the aesthetics of the door and complicate any adjustments.
- 7- **\*Exclusively for the Series 1000 frames (For the Series 7000 frames, go directly to step 8).**  
Install the “J” aluminum strips on the non-flush side of the frame 100 mm from the frame edge (Figures D and E). Space each strip at 400 mm intervals (center to center).

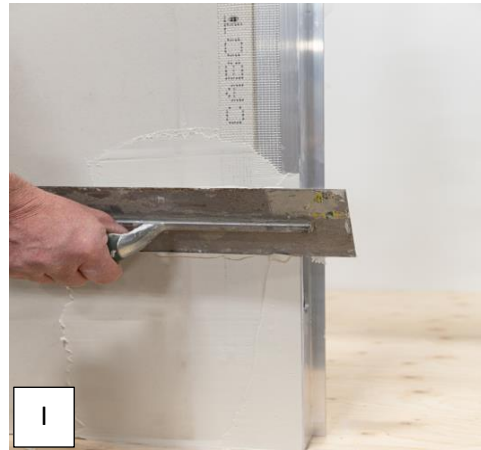


- 8- Apply the drywall (Figures F and G). It is always preferable to use 5/8” drywall panels. For the Series 1000 frames, 1/2” drywall can work, however, it will require an extra amount of plaster mud to fill the remaining space. For the Series 7000 frames, you could use 1/2” panels on the flushwall side, but that will require some extra plaster mud as well. However, you **will have to** use 5/8” drywall panels or other panelling material on the other side.



- 9- Apply the self-adhesive fiberglass tape (Figure H). Make sure any dust is removed before applying the tape.

10- Apply the plaster mud (Figure I)



11- Painting. For best adherence, we recommend applying an oil-based primer to the aluminum. SHERWIN WILLIAMS **EXTREME BOND B51W00150** is recommended.



## 2-The Door

Before installing the doors, it is important that the doors be stored in a dry space with a controlled level of humidity. During storage, it is important that the doors be placed flat. Inadequate or faulty storage can spoil them.

- 1- Install the hinges to the doors using wood screws #8 1 ½". Take care to insert the right part of the hinge into the spaces in the door machined for that purpose. Reference is made to the Hinge section of these instructions.
2. Once the hinges are installed on the door, it is important to release the adjustment screws on the hinges (see Hinge section below) through the use of an ALLEN key in order to facilitate the entry of the hinges into the installed frame (Figure J).



3. Open the hinges so that they are all facing and ready to be applied in the openings machined in the frame. Place the bottom of the door towards the frame, aligning the bottom hinge with the machined opening for that hinge in the frame. Then do the same for the middle hinge, finishing with the hinge at the top. (Figure K)
4. Adjust the hinges. See the HINGES section for this. Do not install the hinge covers until the hinge adjustments have been made.  
Suggest the use of an inflatable cushion under the door to facilitate door installation. (Figure L)



## 3-THE HINGES

### 3.1 INTEGRA and TECTUS hinges

These hinges contain the following pieces:

- 1 hinge
- 4 metal covers and their screws
- 4 wood screws #8 1 ½"
- 4 self-tapping screws #8 1 ¼"



Adjust the hinges using ALLEN key 4 mm (Fig. M)

Use the link below to access further information.

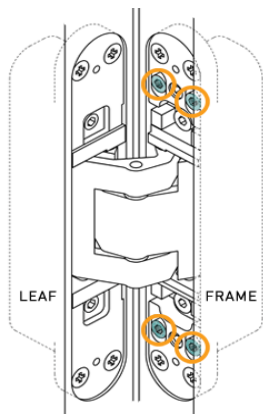
[http://www.tectushinges.com/adjust\\_steps.html#](http://www.tectushinges.com/adjust_steps.html#)



M

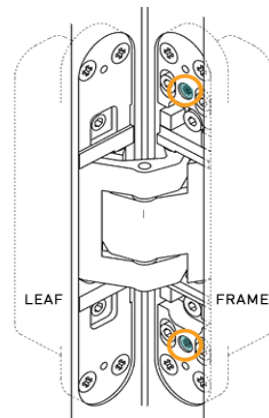
#### Step 1 : Prepare vertical adjustment

Gently loosen the tightening screws using the ALLEN key



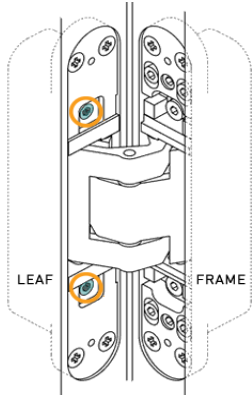
#### Step 2 : The vertical adjustment

Secure the vertical position of the door by turning the lower tightening screw. Then turn the higher tightening screw in the opposite direction. Then secure all the tightening screws



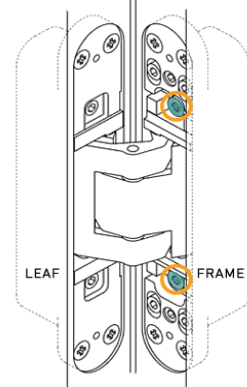
### Step 3 : Lateral adjustment

Adjust the axes with the 4 mm. ALLEN key  
Toward the hinge: turn counterclockwise with the key (max 3 mm)  
Toward the lock: turn clockwise with key (max 3 mm)



### Step 4 : Depth adjustment

Gently loosen the fixation screws  
Place the door at the correct depth  
Tighten the fixation screws.



## 3.2 Éclipse hinge

This hinge contains the following parts:

- 1 hinge
- 4 plastic snap on covers
- 2 wood screws #8 1 ½"
- 4 self-tapping screws #8 1 ¼"



Adjust the hinges using ALLEN key 4 mm (Fig. N)

Use the link below to access further information.

<https://www.youtube.com/watch?v=l9358mnke5U>



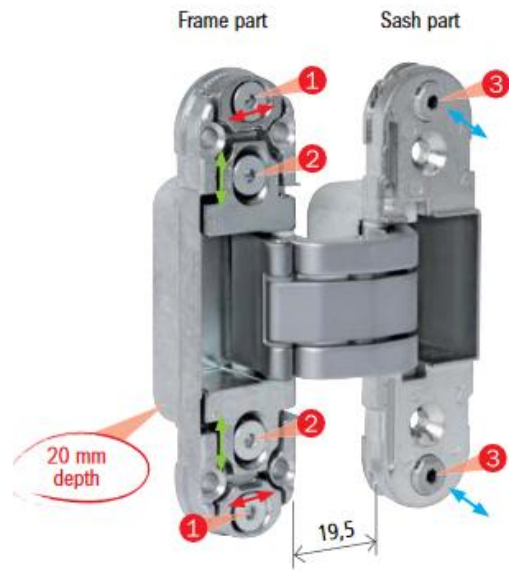
N



**Step 1 : Lateral adjustment**

**Step 2 : Vertical adjustment**

**Step 3 : Depth adjustment**



## 4-The LATCH

Your INTEGRA door system was pre-machined to accept either an American Lever or a Magnetic latch.

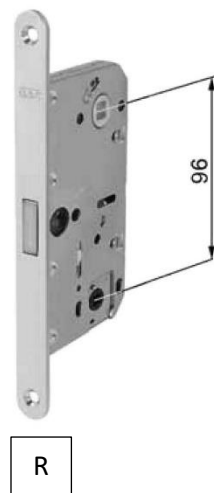
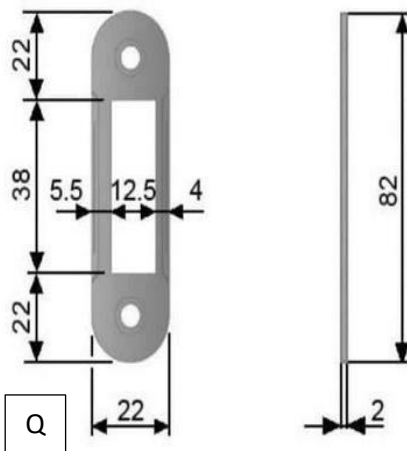
### 4.1 American Lever (Fig. O)

Insert the latch set into the machined opening in the door. We suggest using this latch when a door requiring a 20 minute fire-rating is used.



### 4.2 Magnetic Latch (Fig. P)

- 1- Insert the latch cassette into the machined door opening using the 2 #6 flat-head 1 ¼" screws.
- 2- Place the magnet and its plate into the machined frame opening using 2 #6 flat head 3/4 " screws
- 3- The magnet and its plate are adjustable to permit an interior or exterior facing with distancing of 1.5 to 3 mm (Fig. Q)
- 4- To do that, you just need to rotate the plate or the magnet by 180 degrees.
- 5- The AGB Magnetic Latch can be modified as a **private handle** by drilling a 5/8" (16mm) hole 96mm from the center of the lever. (Fig. R)
- 6- Please note that the magnetic latch must be paired with either a Manital or Colombo handle.



A magnetic latch equipped with a privacy lock.

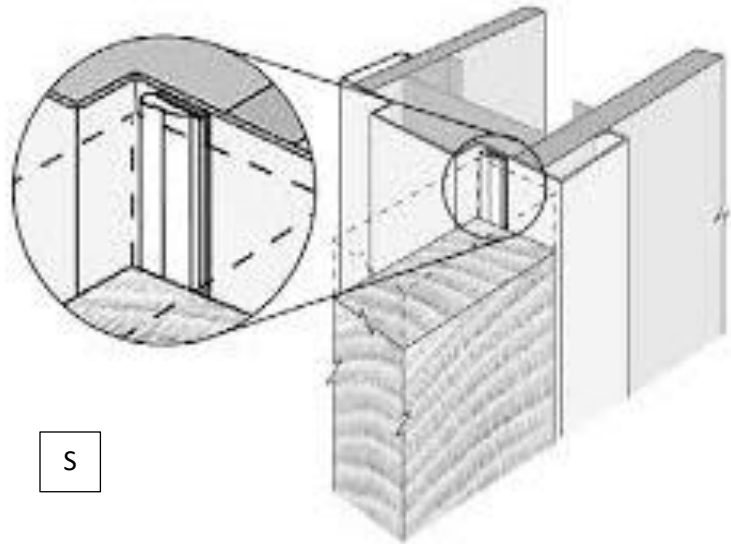
## 5-Automatic door closer

- 1- For the Rutland door closer, please consult the manufacturer's installation instructions included in the packaging.

## 6-Smoke barrier stripping

- 1- Before applying the smoke barrier, make sure there is no dust or grease on the frame surface receiving the application.

- 2- Remove the protective strip and apply the smoke barrier stripping to the frame. See figure S



S

## 7-Door threshold

- 1- Install the door threshold using #6 3 / 4 " round head screws.

