

PRODUCT

INTEGRA SYSTEM

SERIES

1000

MODEL

INT1000-IS
10,087,674

DESCRIPTION

LIGHT METAL FRAME FOR SINGLE DOOR WITH INWARD SWING

DATE

2019-03-05

SCALE

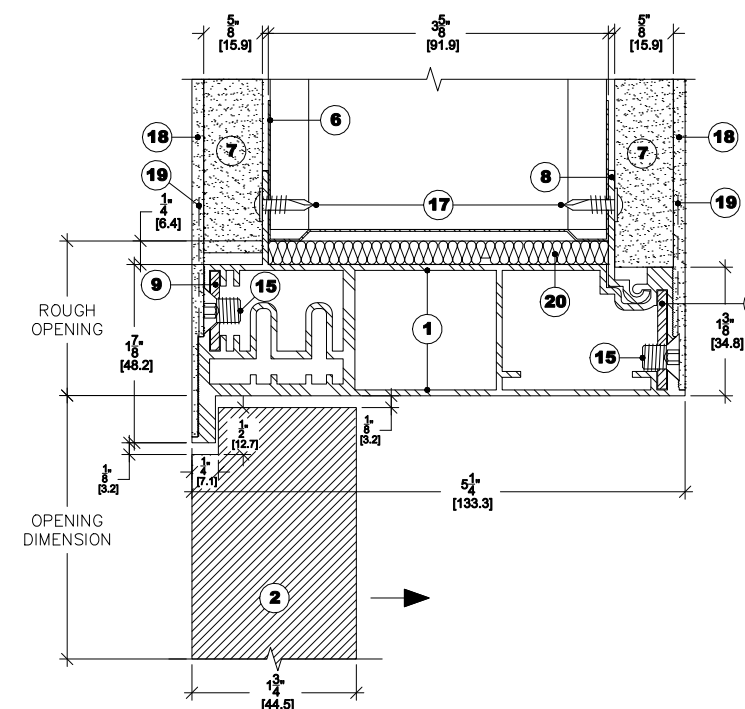
VARIED SCALE

FILES NAME

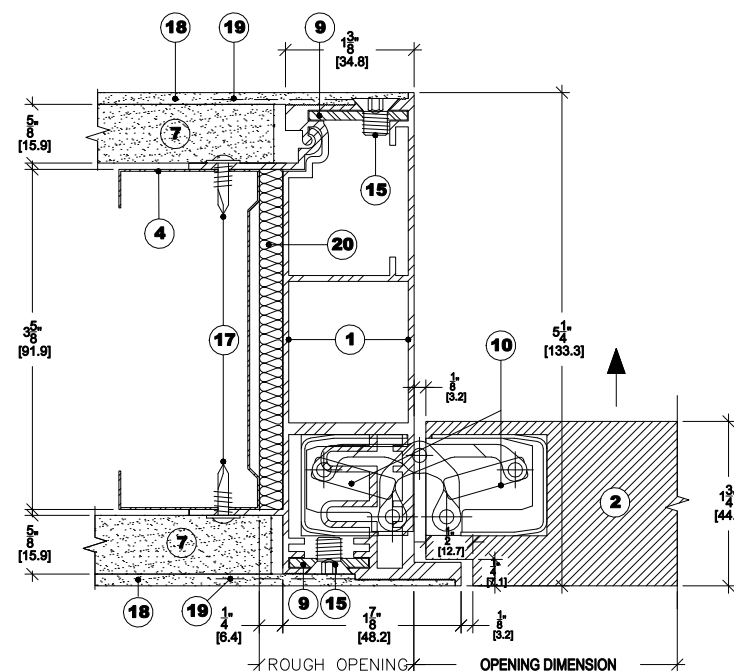
DÖRR_INT1000-IS-EN

LEGEND

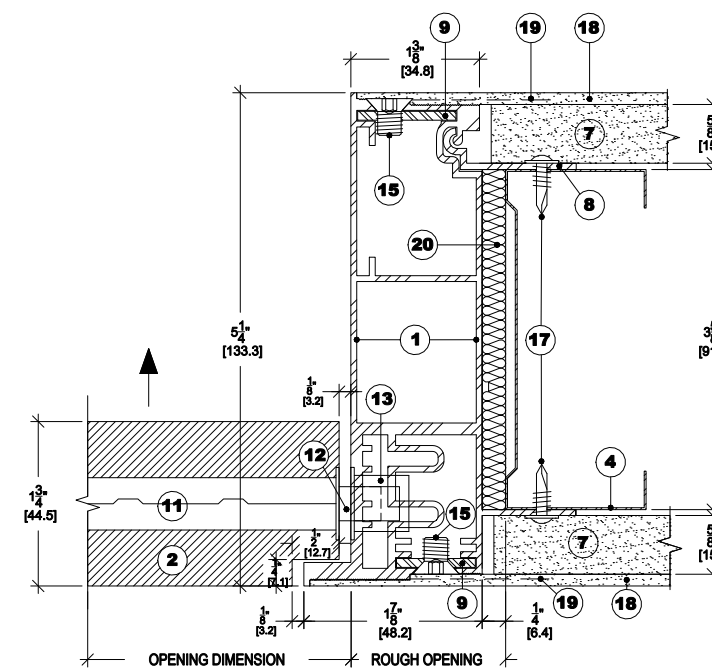
- 1 ALUMINUM FRAME
- 2 WOODEN DOOR
- 3 WOOD STUD
- 4 STEEL STUD
- 5 WOOD LINTEL
- 6 METAL SILL PLATE
- 7 5/8" GYPSUM
- 8 L-SECTION EXTRUDED ALUMINUM BARS
- 9 SLIDE-IN L-SHAPED ASSEMBLY FITTING
- 10 CONCEALED HINGE
- 11 MORTISE LOCK
- 12 LOCKING BOLT
- 13 RECESSED STRIKE IN FRAME
- 14 BUTTON HANDLE
- 15 ASSEMBLY SCREWS
- 16 WOOD FASTENING SCREWS
- 17 LIGHT METAL FASTENING SCREWS
- 18 JOINT COATING
- 19 JOINT TAPE
- 20 FIBROUS INSULATION (OPTIONAL)



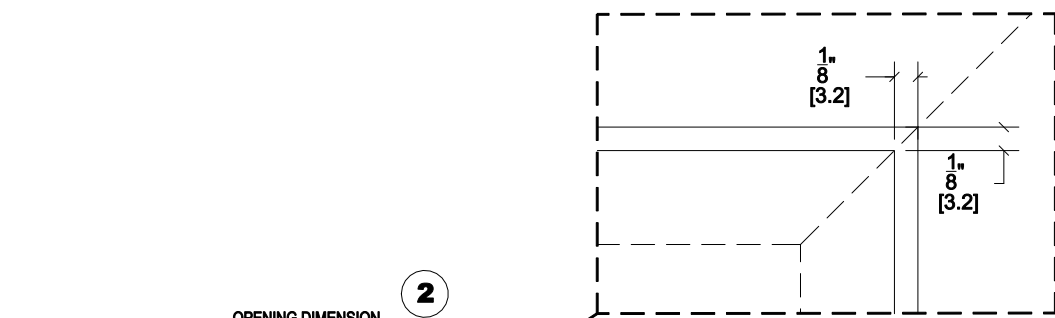
2 DOOR LINTEL
SCALE 1:2



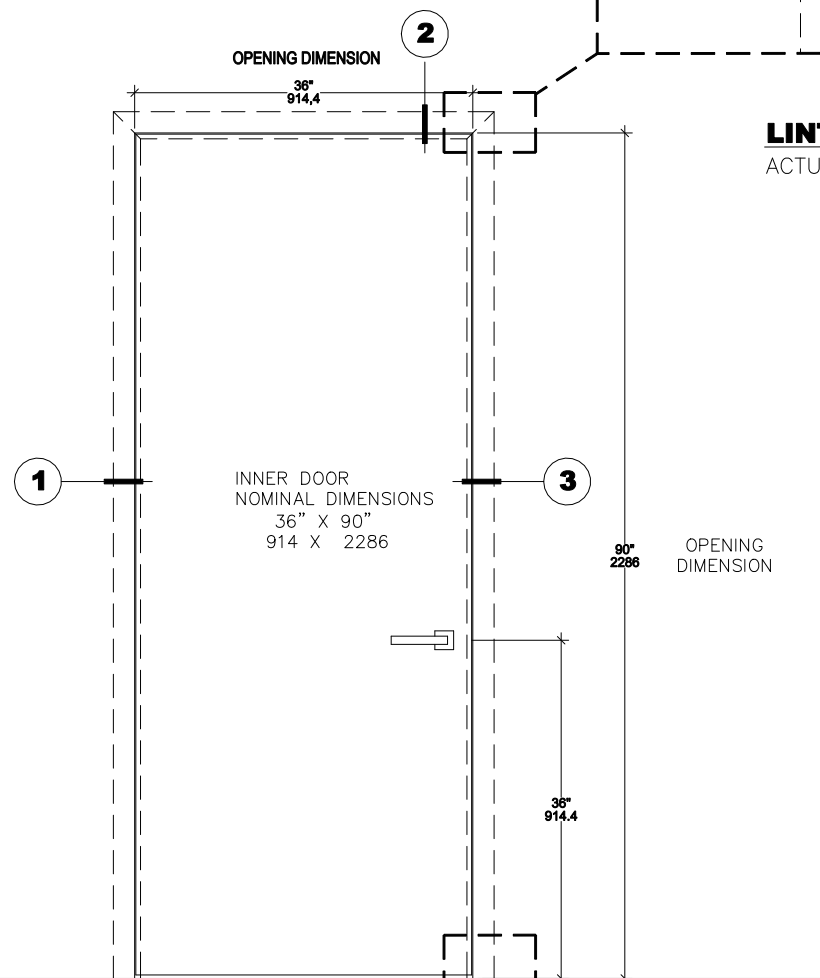
1 JAMB (HINGE SIDE)
SCALE 1:2



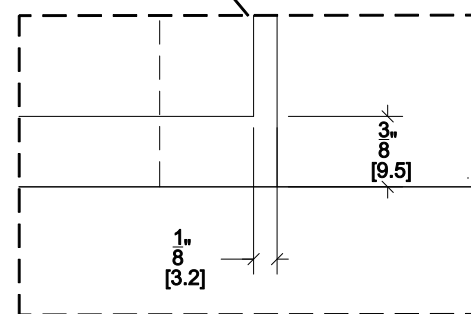
3 JAMB (LATCH SIDE)
SCALE 1:2



LINTEL & JAMB CORNER
ACTUAL DIMENSIONS



DOOR ELEVATION
SCALE 1:20



BOTTOM DOOR GAP
ACTUAL DIMENSIONS

PRODUCT

INTEGRA SYSTEM

SERIES

1000

MODEL

INT1000-OS
10,087,674

DESCRIPTION

LIGHT METAL FRAME FOR SINGLE DOOR WITH OUTWARD SWING

DATE

2019-03-05

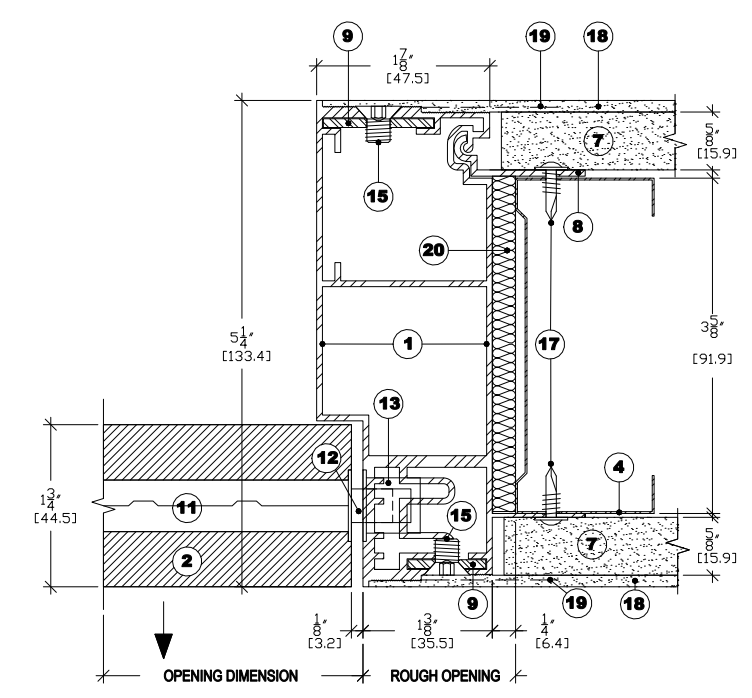
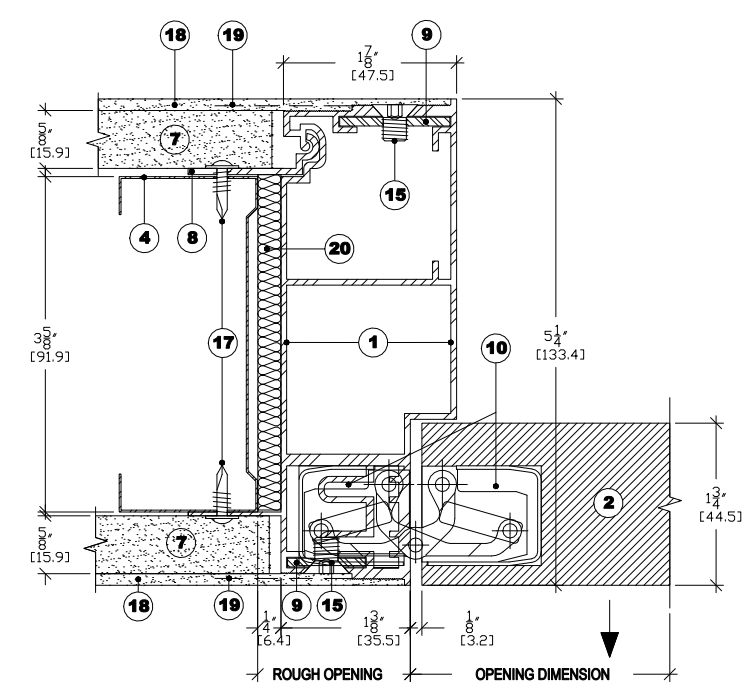
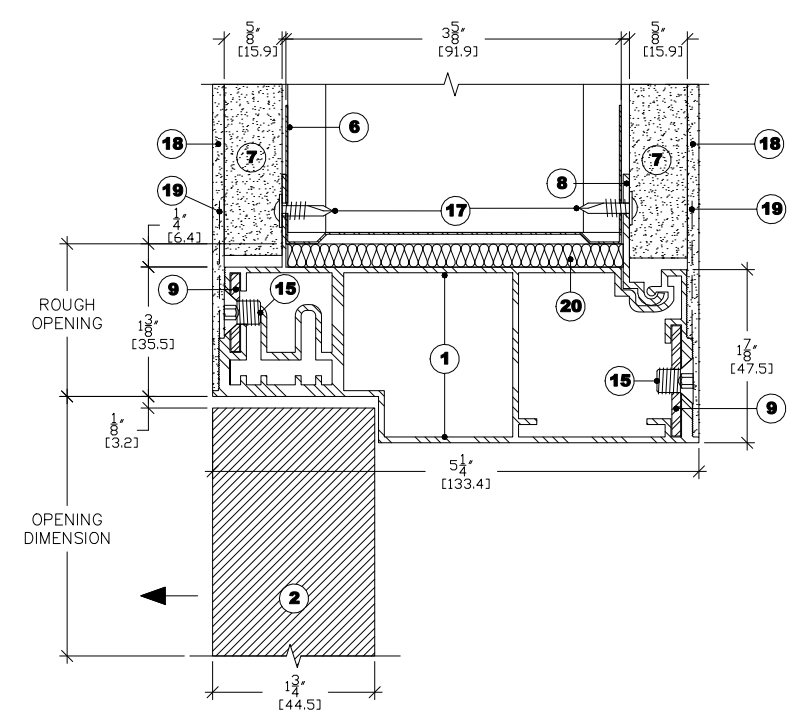
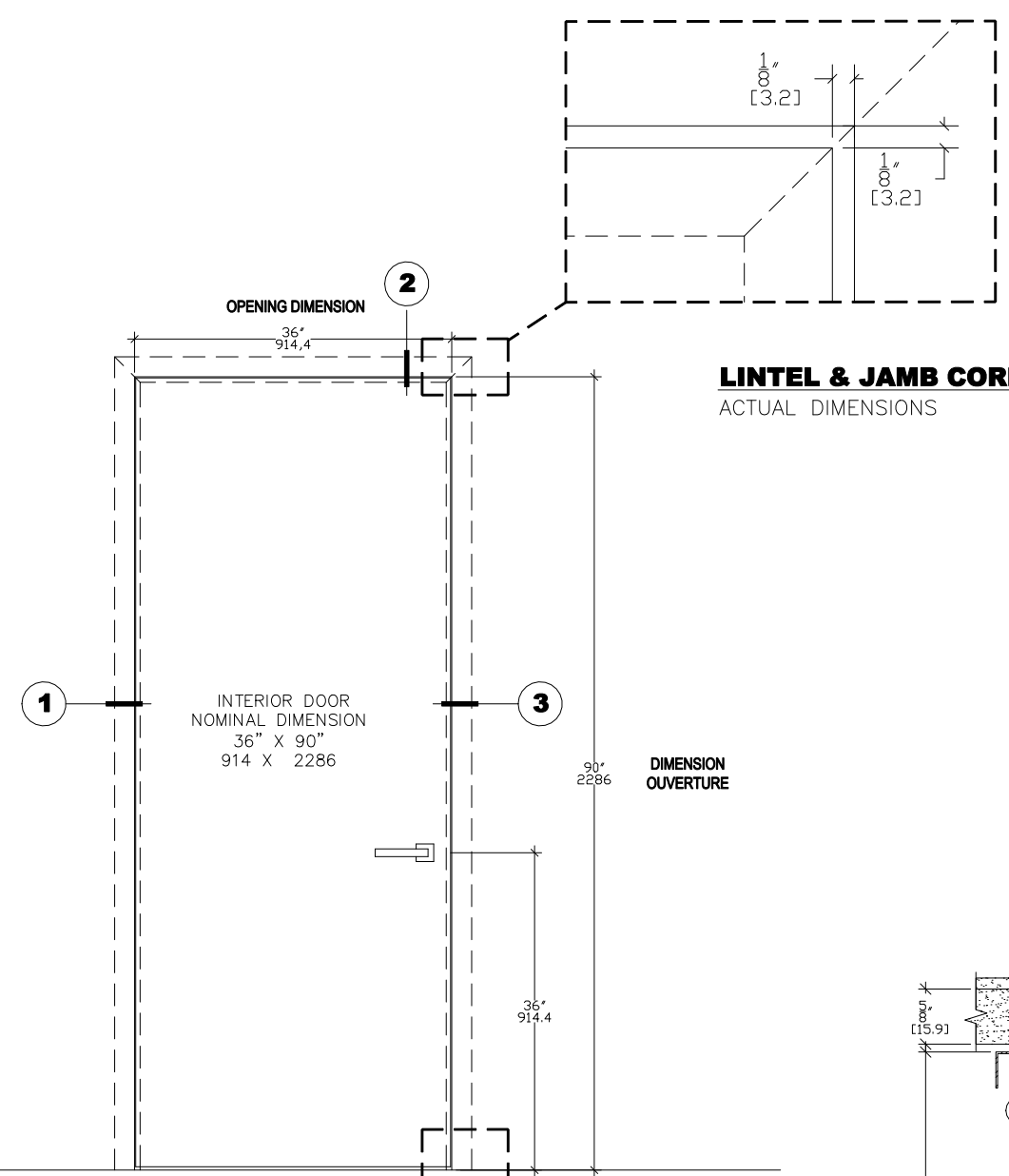
SCALE

VARIED SCALE

FILES NAME

DORR_INT1000-OS-EN

- LEGEND**
- 1 ALUMINUM FRAME
 - 2 WOODEN DOOR
 - 3 WOOD JAMB
 - 4 STEEL STUD
 - 5 WOOD LINTEL
 - 6 METAL SILL PLATE
 - 7 5/8" GYPSUM
 - 8 L-SECTION EXTRUDED ALUMINUM BARS
 - 9 SLIDE-IN L-SHAPED ASSEMBLY FITTING
 - 10 CONCEALED HINGE
 - 11 MORTISE LOCK
 - 12 LOCKING BOLT
 - 13 RECESSED STRIKE IN FRAME
 - 14 BUTTON HANDLE
 - 15 ASSEMBLY SCREWS
 - 16 FASTENING SCREWS
 - 17 LIGHT METAL FASTENING SCREWS
 - 18 JOINT COATING
 - 19 JOINT TAPE
 - 20 FIBROUS INSULATION (OPTIONAL)



PRODUCT

INTEGRA SYSTEM

SERIES

7000

MODEL

INT7000-IS
10,087,674

DESCRIPTION

LIGHT METAL FRAME FOR SINGLE DOOR WITH INWARD SWING

DATE

2019-03-05

SCALE

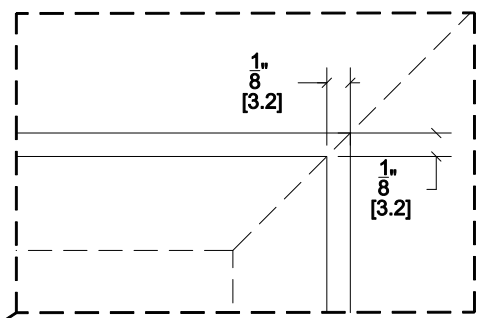
VARIED SCALE

FILES NAME

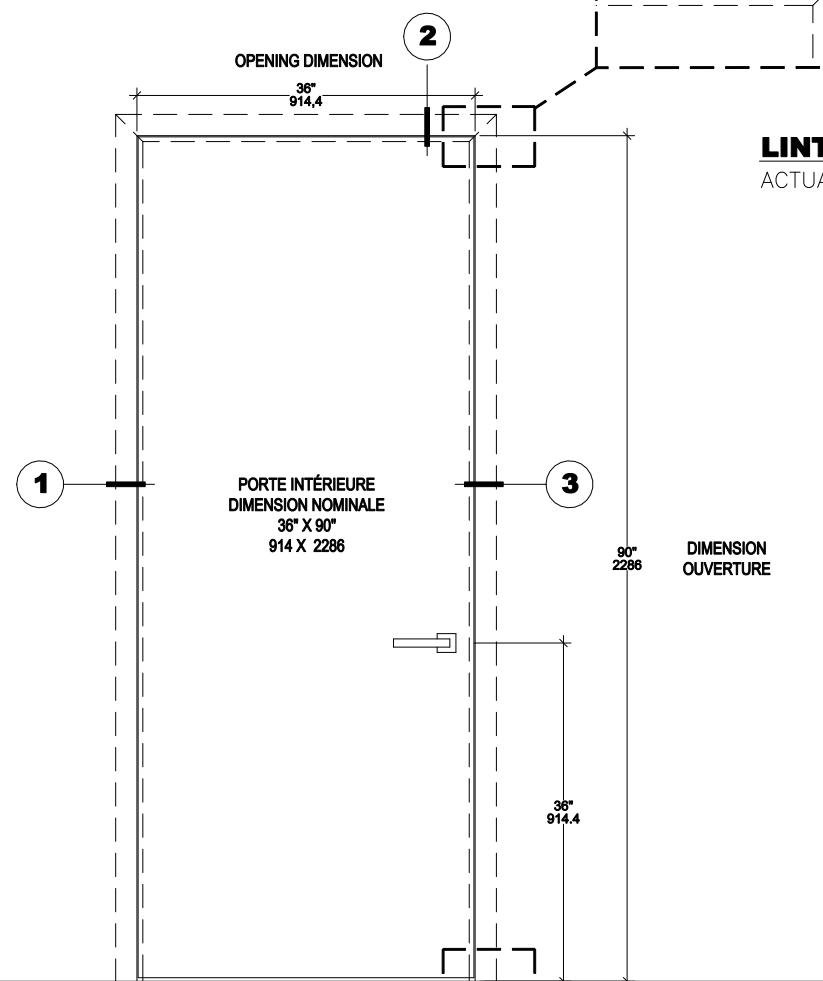
DÖRR_INT7000-IS-EN

LEGEND

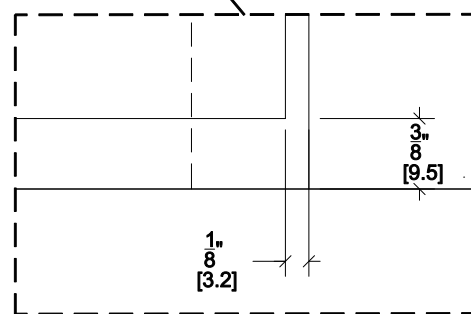
- 1 ALUMINUM FRAME
- 2 WOODEN DOOR
- 3 WOOD JAMB
- 4 METAL STUD
- 5 WOOD LINTEL
- 6 METAL SILL PLATE
- 7 5/8" GYPSUM BOARD
- 8 L-SECTION EXTRUDED ALUMINUM BARS
- 9 SLIDE-IN L-SHAPED ASSEMBLY FITTING
- 10 CONCEALED HINGE
- 11 MORTISE LOCK
- 12 LOCKING BOLT
- 13 RECESSED STRIKE IN FRAME
- 14 BUTTON HANDLE
- 15 ASSEMBLY SCREW
- 16 FASTENING SCREWS
- 17 LIGHT METAL FASTENING SCREWS
- 18 JOINT COATING
- 19 JOINT TAPE
- 20 FIBROUS INSULATION (OPTIONAL)
- 21 FINISHED WALL PANEL
- 22 SHIMS FACING FASTENING SCREWS



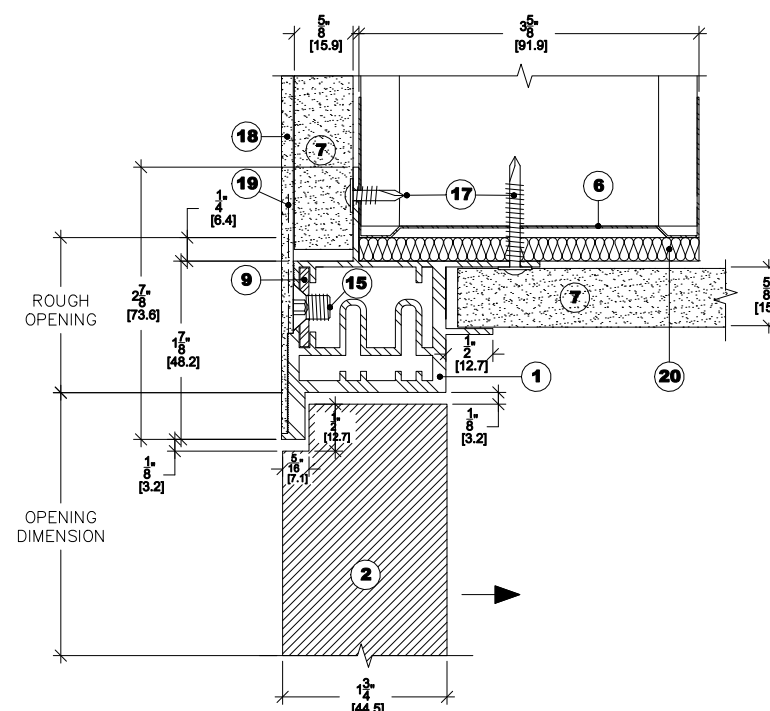
LINTEL & JAMB CORNER
ACTUAL DIMENSIONS



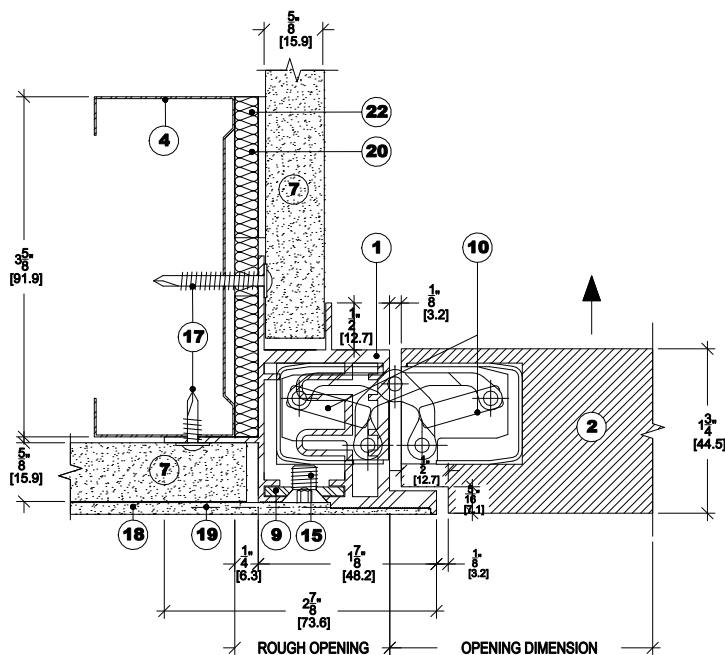
DOOR ELEVATION
SCALE 1:20



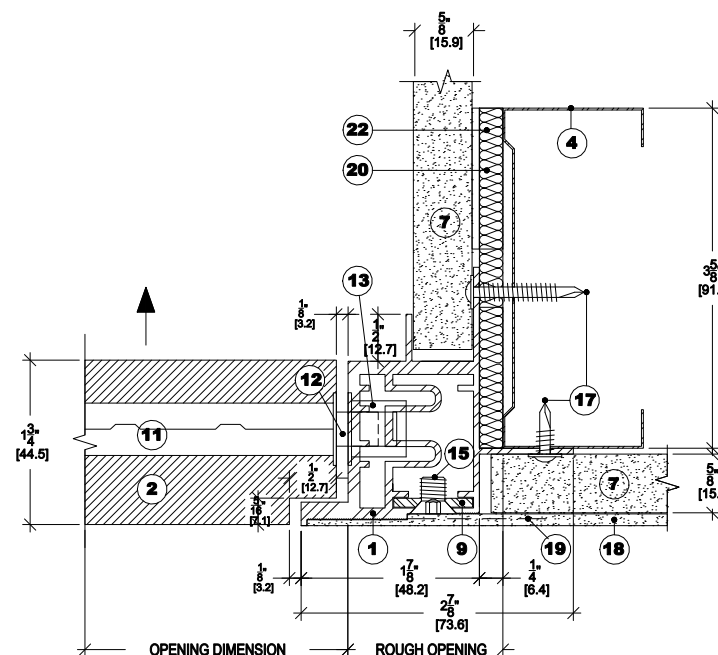
BOTTOM DOOR GAP
ACTUAL DIMENSIONS



2 DOOR LINTEL
SCALE 1:2



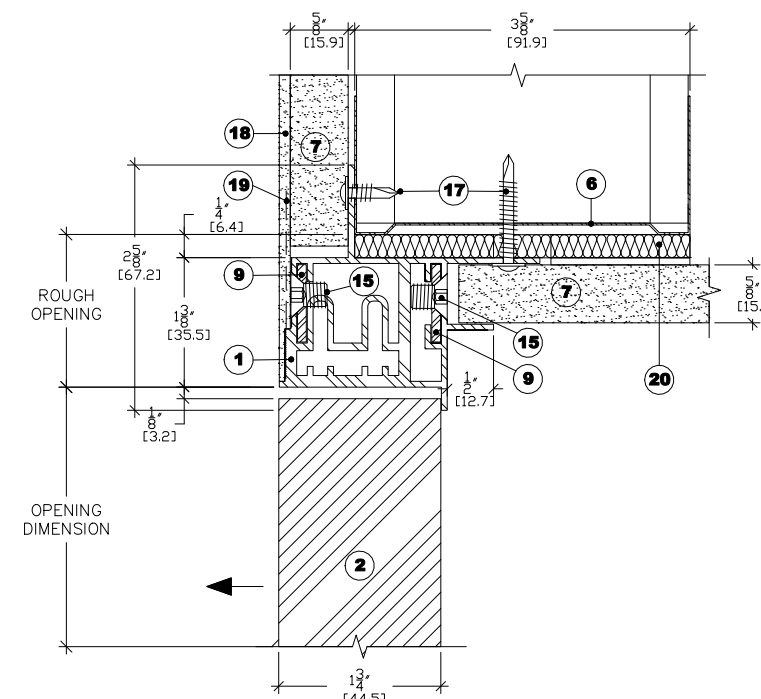
1 JAMB (HINGE SIDE)
SCALE 1:2



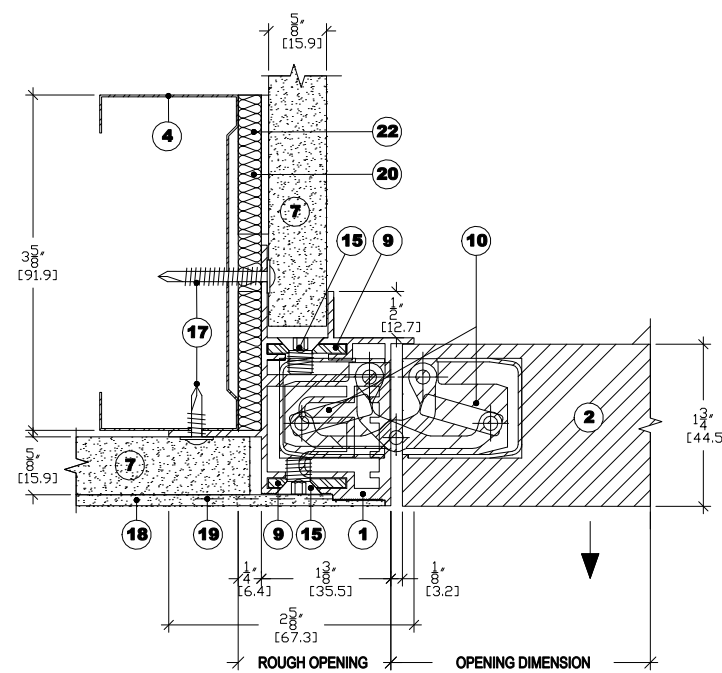
3 JAMB (LATCH SIDE)
SCALE 1:2

LEGEND

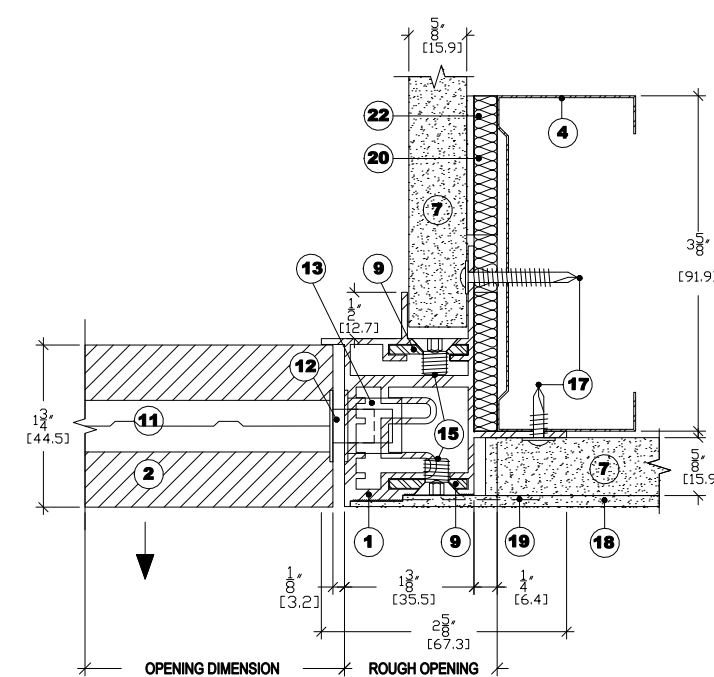
- 1 ALUMINUM FRAME
- 2 WOODEN DOOR
- 3 WOOD JAMB
- 4 METAL STUD
- 5 WOOD LINTEL
- 6 METAL SILL PLATE
- 7 5/8" GYPSUM BOARD
- 8 L-SECTION EXTRUDED ALUMINUM BARS
- 9 SLIDE-IN L-SHAPED ASSEMBLY FITTING
- 10 CONCEALED HINGE
- 11 MORTISE LOCK
- 12 LOCKING BOLT
- 13 RECESSED STRIKE IN FRAME
- 14 BUTTON HANDLE
- 15 ASSEMBLY SCREW
- 16 FASTENING SCREWS
- 17 LIGHT METAL FASTENING SCREWS
- 18 JOINT COATING
- 19 JOINT TAPE
- 20 FIBROUS INSULATION (OPTIONAL)
- 21 FINISHED WALL PANEL
- 22 SHIMS FACING FASTENING SCREWS



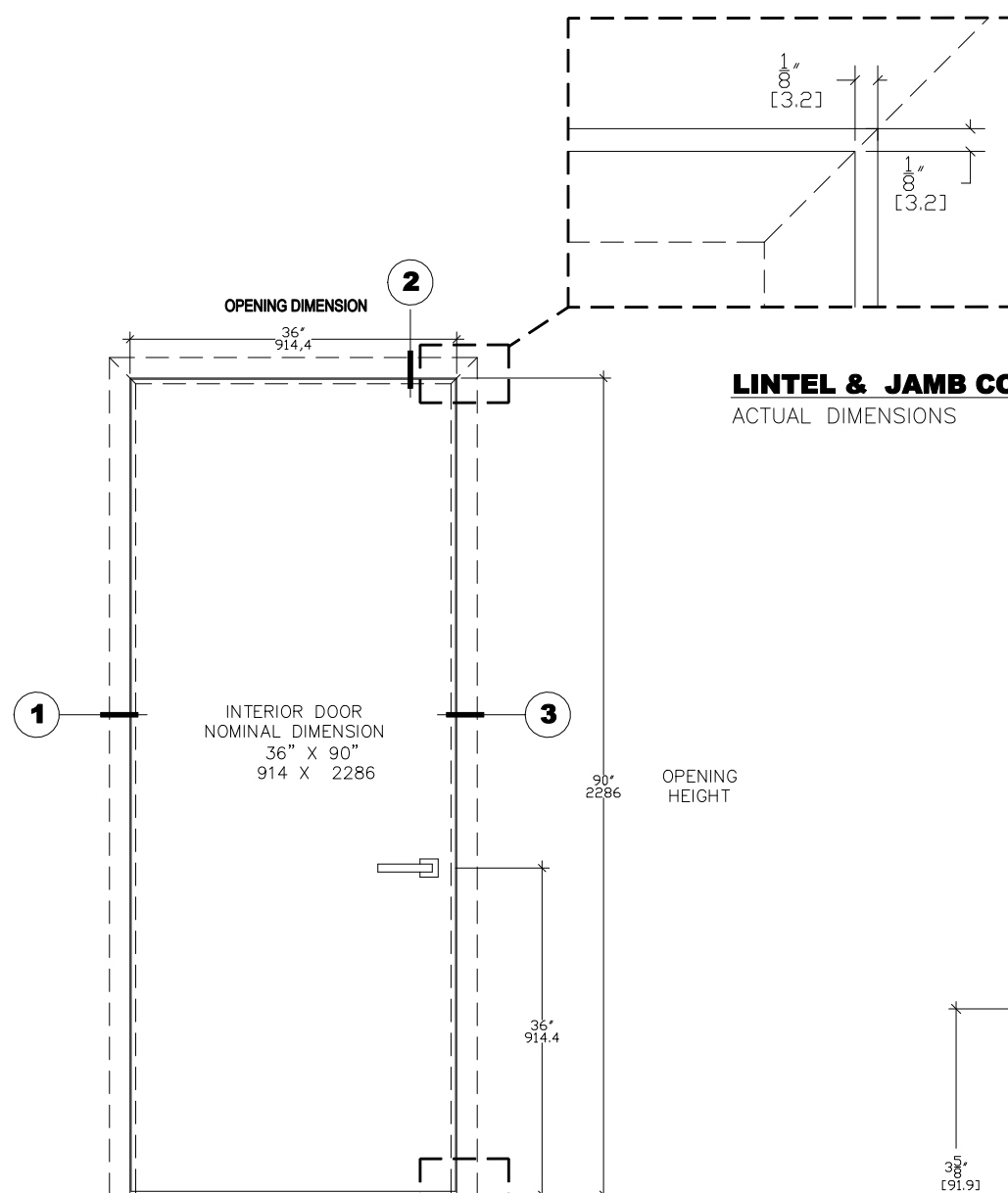
2 DOOR HEADER
SCALE 1:2



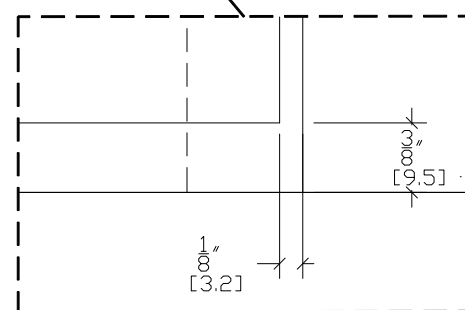
1 JAMB (HINGE SIDE)
SCALE 1:2



3 JAMB (LATCH SIDE)
SCALE 1:2



DOOR ELEVATION
SCALE 1:20



BOTTOM DOOR GAP
ACTUAL DIMENSIONS

PRODUCT

INTEGRA SYSTEM

SERIES

7000

MODEL

INT7000-OS
10,087,674

DESCRIPTION

LIGHT METAL FRAME FOR SINGLE DOOR WITH OUTWARD SWING

DATE

2019-03-05

SCALE

VARIED SCALE

FILES NAME

DORR_INT7000-OS-EN