

PRODUCT

INTEGRA SYSTEM

SERIES

7000

MODEL

INT7000-OS

10,087,674

DESCRIPTION

LIGHT METAL FRAME
FOR SINGLE DOOR
WITH OUTWARD SWING

DATE

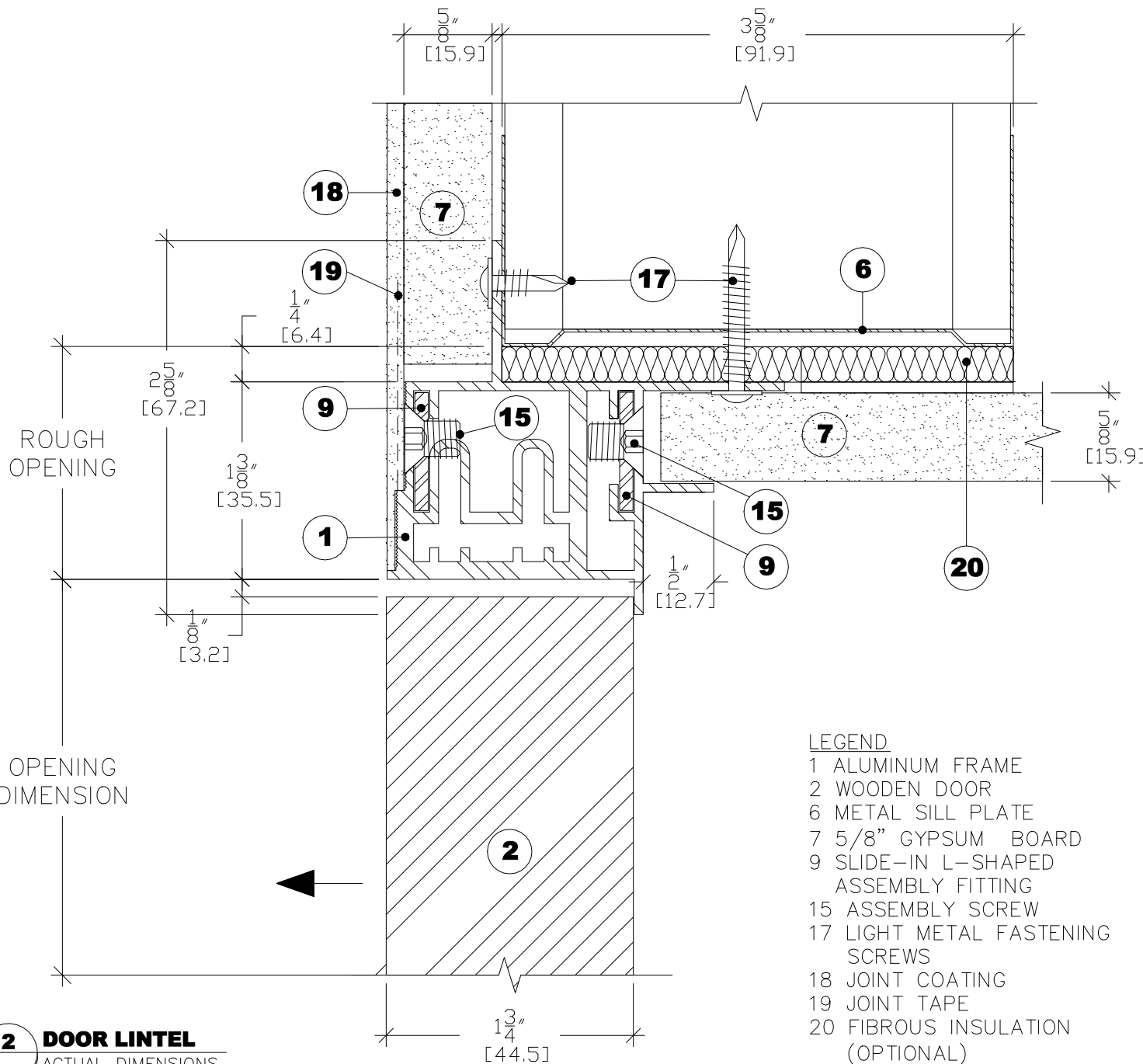
2019-03-05

SCALE

ACTUAL DIMENSIONS

FILE NAME

DORR_INT7000-OS-EN



LEGEND

- 1 ALUMINUM FRAME
- 2 WOODEN DOOR
- 6 METAL SILL PLATE
- 7 5/8" GYPSUM BOARD
- 9 SLIDE-IN L-SHAPED ASSEMBLY FITTING
- 15 ASSEMBLY SCREW
- 17 LIGHT METAL FASTENING SCREWS
- 18 JOINT COATING
- 19 JOINT TAPE
- 20 FIBROUS INSULATION (OPTIONAL)

2 DOOR LINTEL
ACTUAL DIMENSIONS