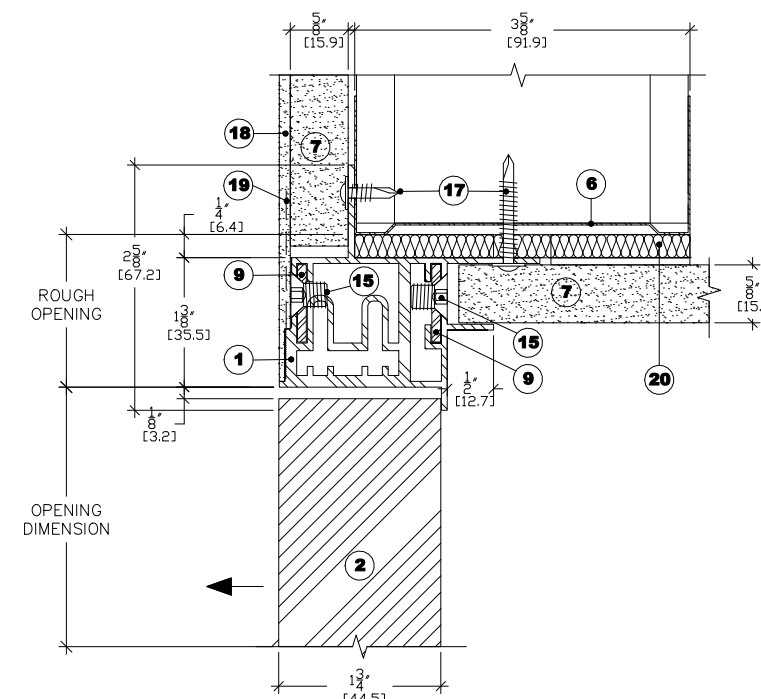
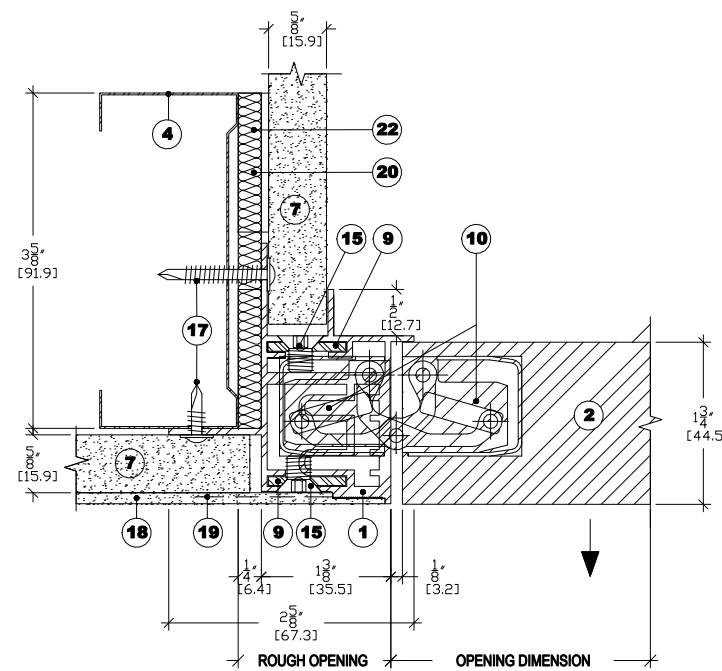


LEGEND

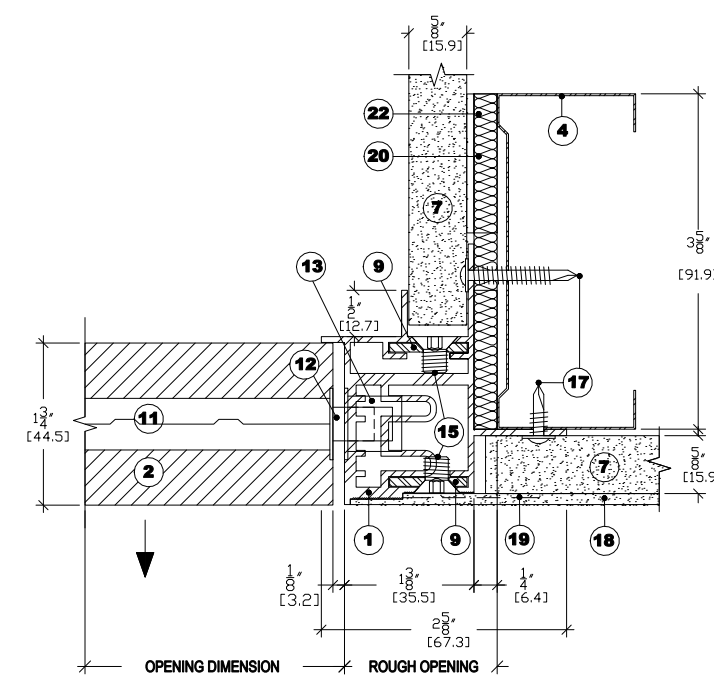
- 1 ALUMINUM FRAME
- 2 WOODEN DOOR
- 3 WOOD JAMB
- 4 METAL STUD
- 5 WOOD LINTEL
- 6 METAL SILL PLATE
- 7 5/8" GYPSUM BOARD
- 8 L-SECTION EXTRUDED ALUMINUM BARS
- 9 SLIDE-IN L-SHAPED ASSEMBLY FITTING
- 10 CONCEALED HINGE
- 11 MORTISE LOCK
- 12 LOCKING BOLT
- 13 RECESSED STRIKE IN FRAME
- 14 BUTTON HANDLE
- 15 ASSEMBLY SCREW
- 16 FASTENING SCREWS
- 17 LIGHT METAL FASTENING SCREWS
- 18 JOINT COATING
- 19 JOINT TAPE
- 20 FIBROUS INSULATION (OPTIONAL)
- 21 FINISHED WALL PANEL
- 22 SHIMS FACING FASTENING SCREWS



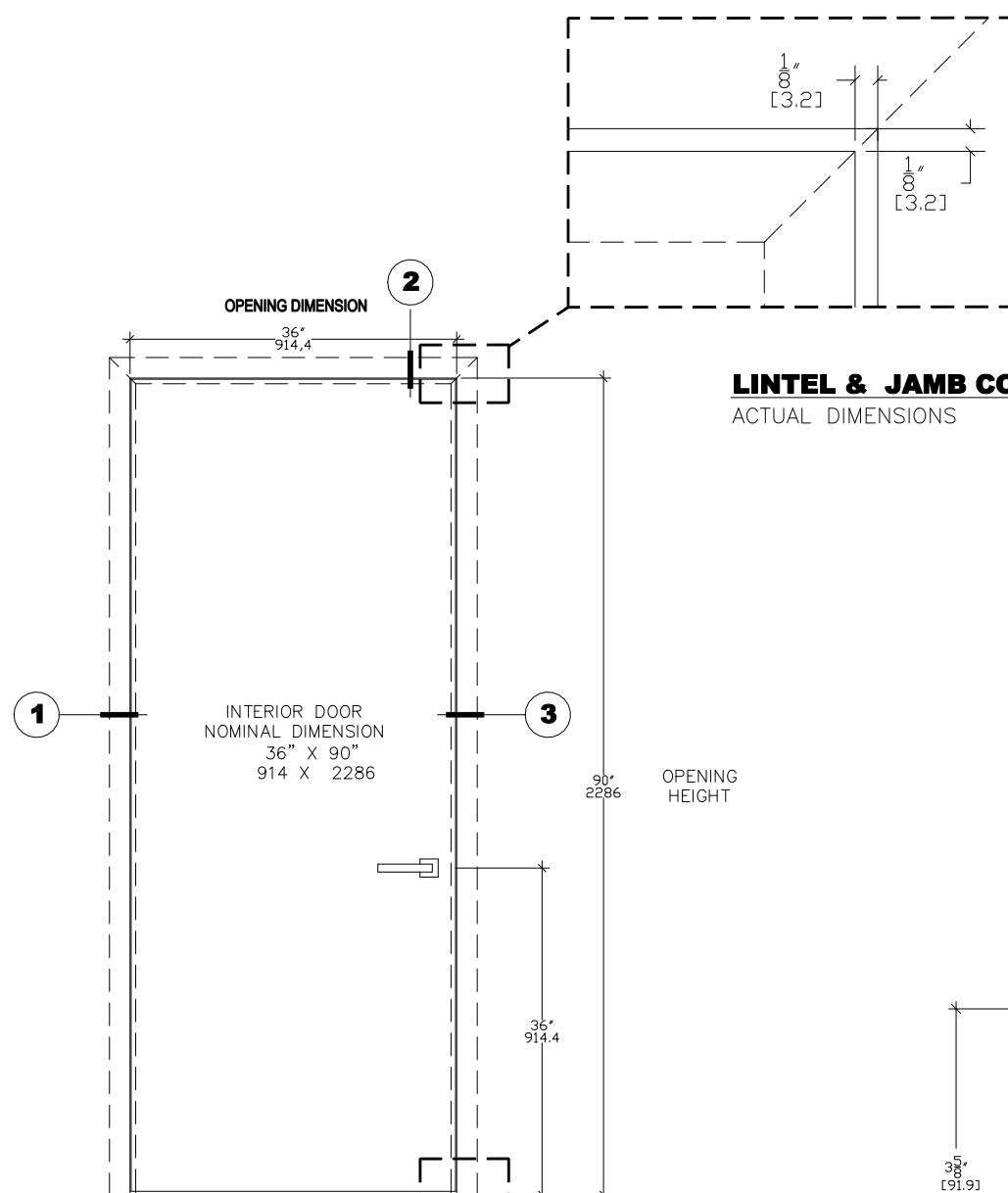
2 DOOR HEADER
SCALE 1:2



1 JAMB (HINGE SIDE)
SCALE 1:2

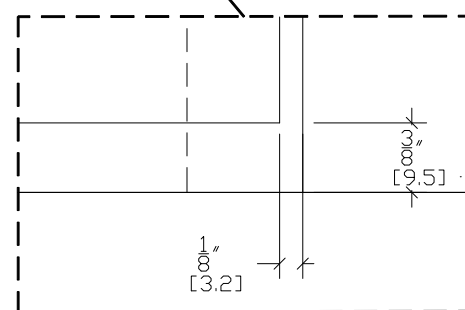


3 JAMB (LATCH SIDE)
SCALE 1:2



LINTEL & JAMB CORNER
ACTUAL DIMENSIONS

DOOR ELEVATION
SCALE 1:20



BOTTOM DOOR GAP
ACTUAL DIMENSIONS

INTERIOR DOOR
NOMINAL DIMENSION
36" X 90"
914 X 2286

90" 2286
OPENING HEIGHT

36" 914.4

PRODUCT

INTEGRA SYSTEM

SERIES

7000

MODEL

INT7000-OS
10,087,674

DESCRIPTION

LIGHT METAL FRAME
FOR SINGLE DOOR
WITH OUTWARD SWING

DATE

2019-03-05

SCALE

VARIED SCALE

FILES NAME

DORR_INT7000-OS-EN