

PRODUCT

INTEGRA SYSTEM

SERIES

1000

MODEL

INT1000-OS
10,087,674

DESCRIPTION

WOOD FRAME FOR SINGLE DOOR WITH OUTWARD SWING

DATE

2019-03-05

SCALE

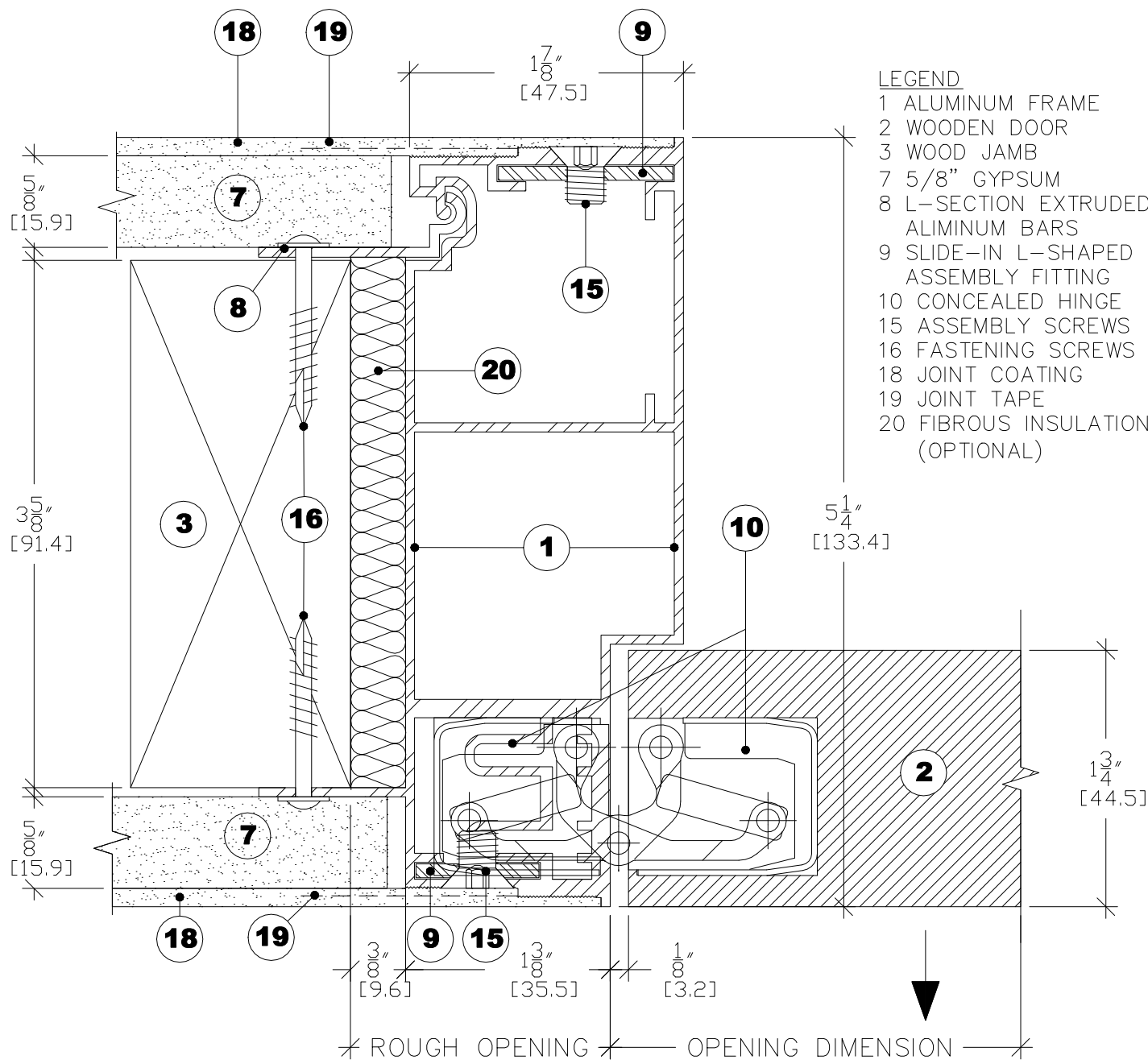
ACTUAL
SCALE

FILE NAME

DÖRR_INT1000-OS-EN

LEGEND

- 1 ALUMINUM FRAME
- 2 WOODEN DOOR
- 3 WOOD JAMB
- 7 5/8" GYPSUM
- 8 L-SECTION EXTRUDED ALUMINUM BARS
- 9 SLIDE-IN L-SHAPED ASSEMBLY FITTING
- 10 CONCEALED HINGE
- 15 ASSEMBLY SCREWS
- 16 FASTENING SCREWS
- 18 JOINT COATING
- 19 JOINT TAPE
- 20 FIBROUS INSULATION (OPTIONAL)



1 JAMB (HINGE SIDE)
ACTUAL SCALE