

PRODUCT

INTEGRA SYSTEM

SERIES

1000

MODEL

INT1000-OS
10,087,674

DESCRIPTION

WOOD FRAME FOR
SINGLE DOOR WITH
OUTWARD SWING

DATE

2019-03-05

SCALE

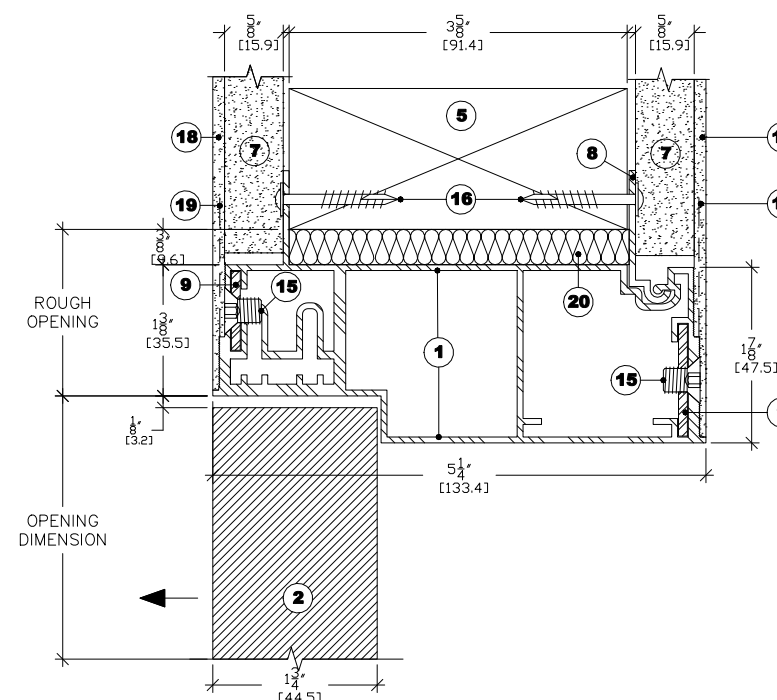
VARIED SCALE

FILES NAME

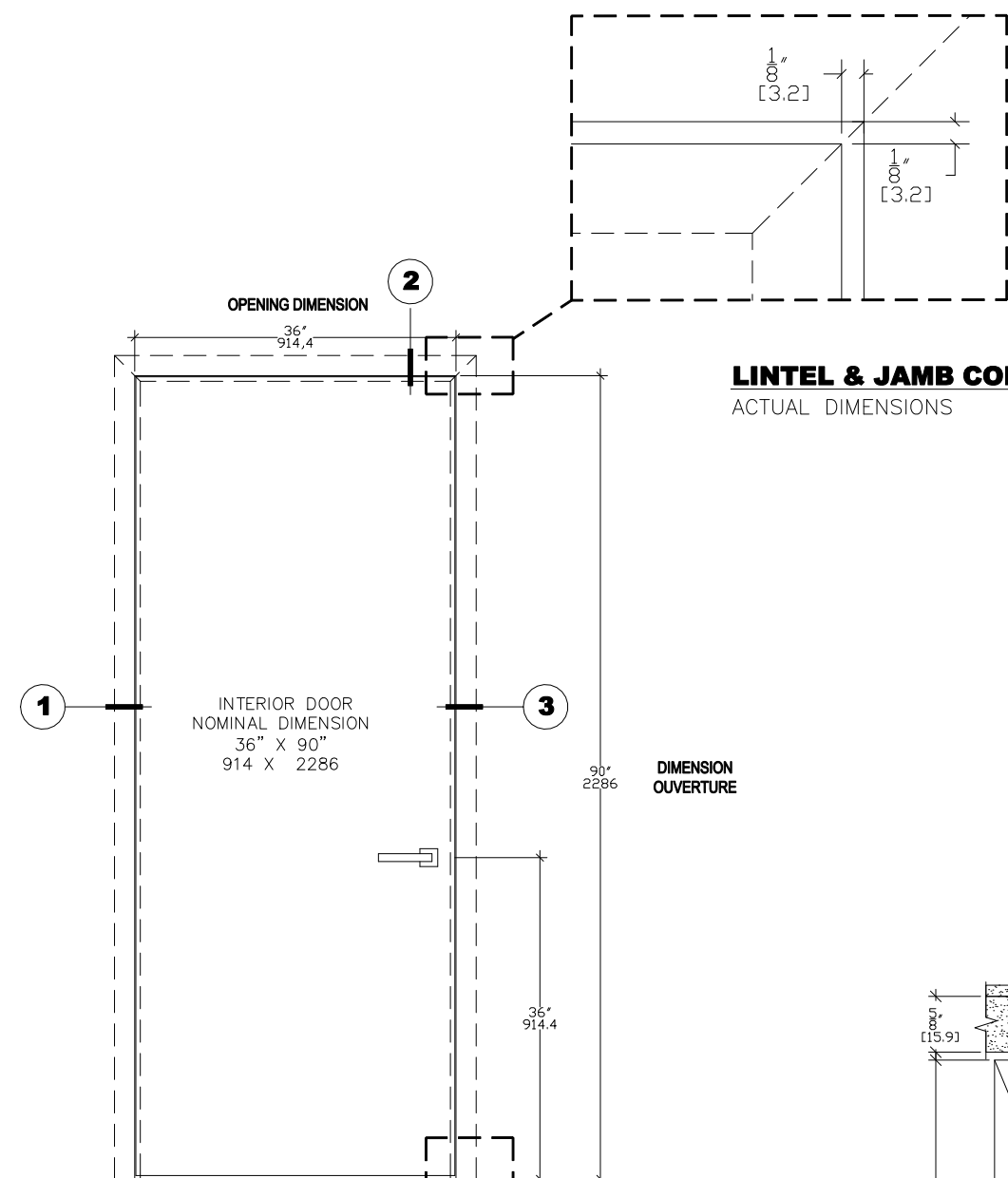
DÖRR_INT1000-OS-EN

LEGEND

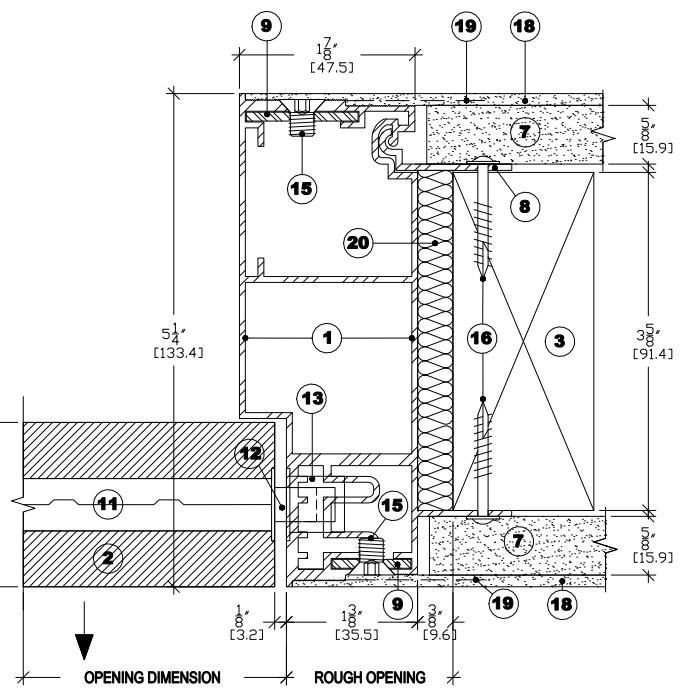
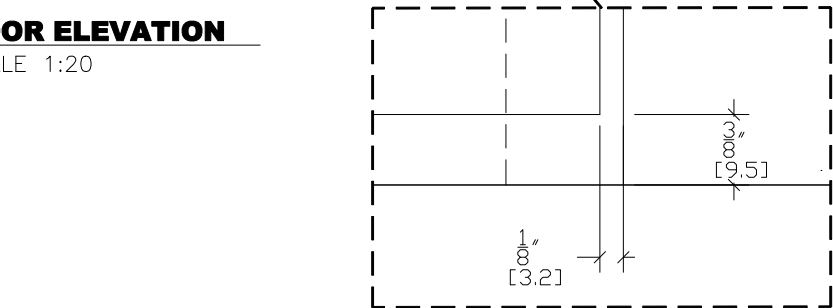
- 1 ALUMINUM FRAME
- 2 WOODEN DOOR
- 3 WOOD JAMB
- 4 STEEL STUD
- 5 WOOD LINTEL
- 6 METAL SILL PLATE
- 7 5/8" GYPSUM
- 8 L-SECTION EXTRUDED ALUMINUM BARS
- 9 SLIDE-IN L-SHAPED ASSEMBLY FITTING
- 10 CONCEALED HINGE
- 11 MORTISE LOCK
- 12 LOCKING BOLT
- 13 RECESSED STRIKE IN FRAME
- 14 BUTTON HANDLE
- 15 ASSEMBLY SCREWS
- 16 FASTENING SCREWS
- 17 LIGHT METAL FASTENING SCREWS
- 18 JOINT COATING
- 19 JOINT TAPE
- 20 FIBROUS INSULATION (OPTIONAL)



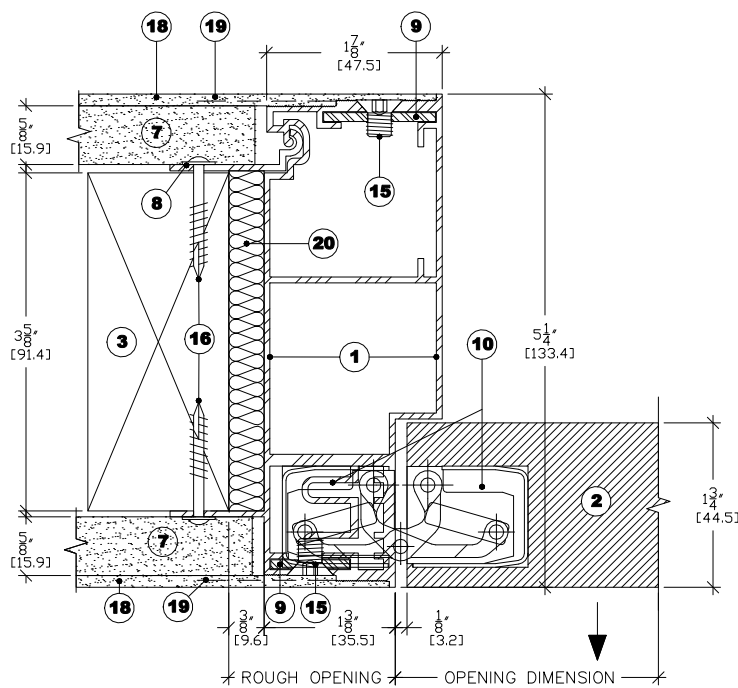
2 DOOR LINTEL
SCALE 1:2



LINTEL & JAMB CORNER
ACTUAL DIMENSIONS



3 JAMB (LATCH SIDE)
SCALE 1:2



1 JAMB (HINGE SIDE)
SCALE 1:2

DOOR ELEVATION
SCALE 1:20

BOTTOM DOOR GAP
ACTUAL DIMENSIONS