

PRODUCT

INTEGRA SYSTEM

SERIES

1000

MODEL

INT1000-OS
10,087,674

DESCRIPTION

LIGHT METAL FRAME FOR SINGLE DOOR WITH OUTWARD SWING

DATE

2019-03-05

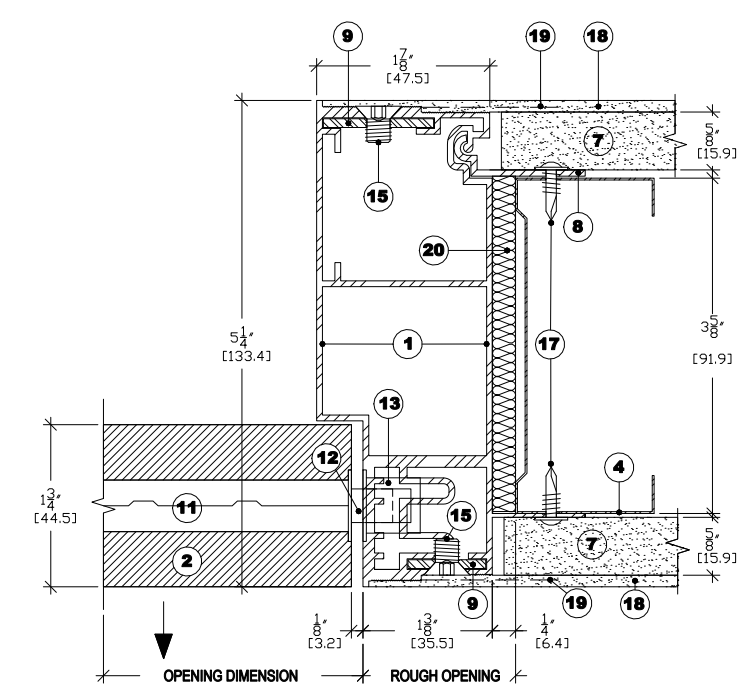
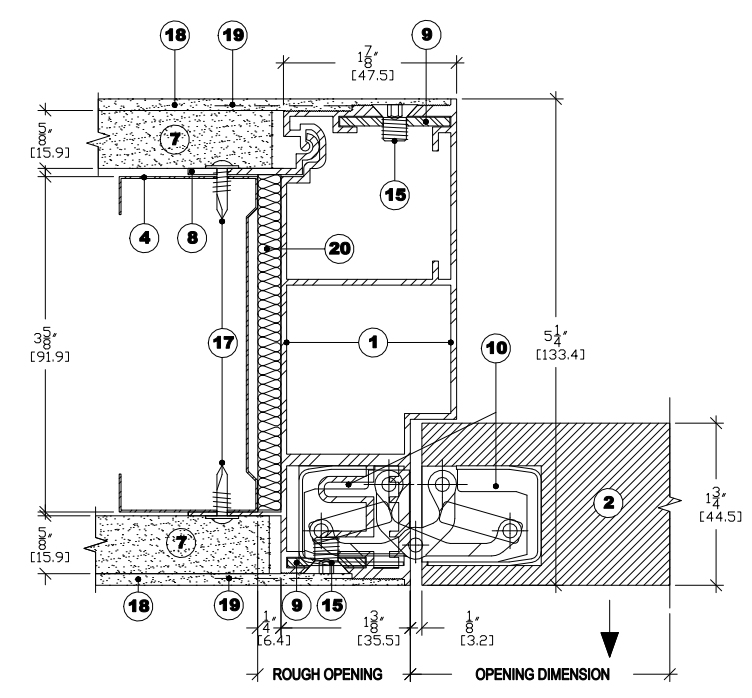
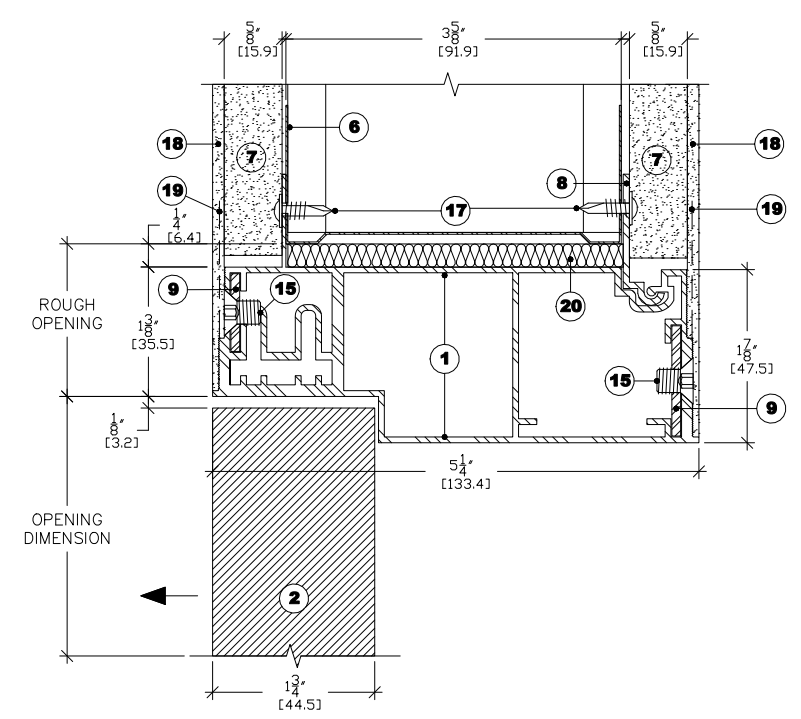
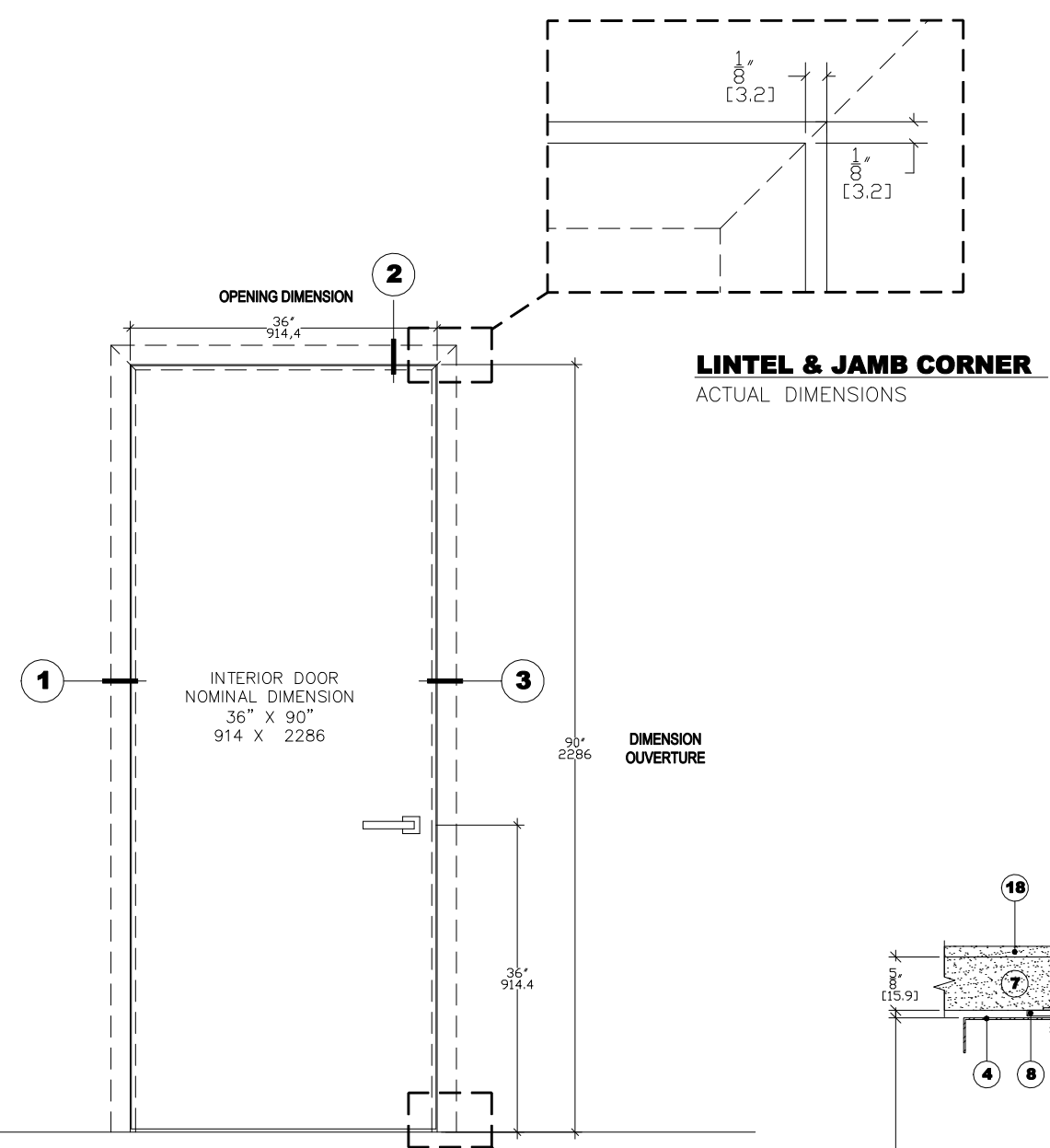
SCALE

VARIED SCALE

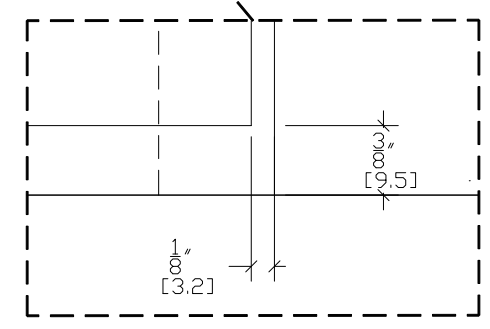
FILES NAME

DORR_INT1000-OS-EN

- LEGEND**
- 1 ALUMINUM FRAME
 - 2 WOODEN DOOR
 - 3 WOOD JAMB
 - 4 STEEL STUD
 - 5 WOOD LINTEL
 - 6 METAL SILL PLATE
 - 7 5/8" GYPSUM
 - 8 L-SECTION EXTRUDED ALUMINUM BARS
 - 9 SLIDE-IN L-SHAPED ASSEMBLY FITTING
 - 10 CONCEALED HINGE
 - 11 MORTISE LOCK
 - 12 LOCKING BOLT
 - 13 RECESSED STRIKE IN FRAME
 - 14 BUTTON HANDLE
 - 15 ASSEMBLY SCREWS
 - 16 FASTENING SCREWS
 - 17 LIGHT METAL FASTENING SCREWS
 - 18 JOINT COATING
 - 19 JOINT TAPE
 - 20 FIBROUS INSULATION (OPTIONAL)



DOOR ELEVATION
SCALE 1:20



1 JAMB (HINGE SIDE)
SCALE 1:2

3 JAMB (LATCH SIDE)
SCALE 1:2