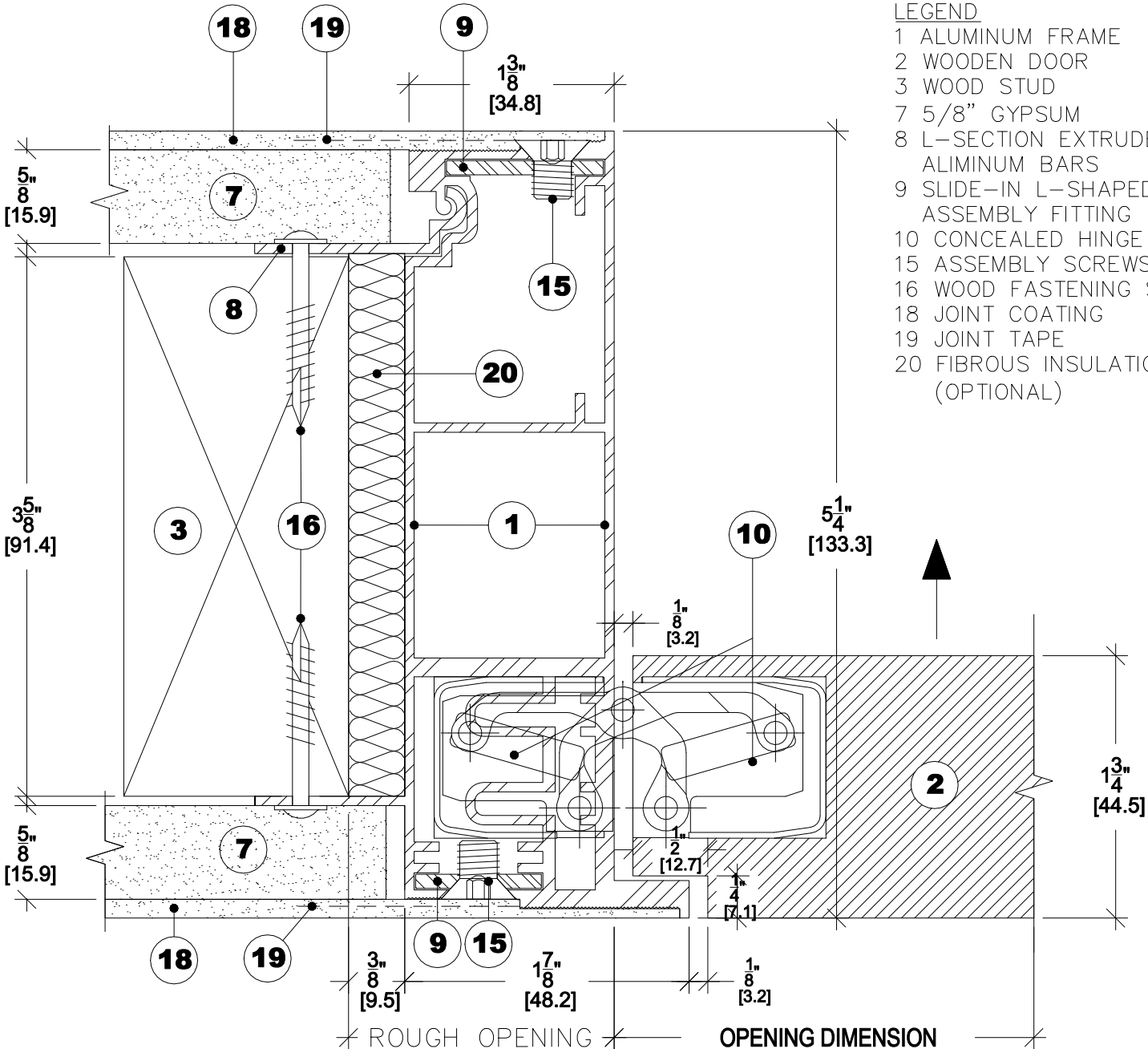


LEGEND

- 1 ALUMINUM FRAME
- 2 WOODEN DOOR
- 3 WOOD STUD
- 7 5/8" GYPSUM
- 8 L-SECTION EXTRUDED ALUMINUM BARS
- 9 SLIDE-IN L-SHAPED ASSEMBLY FITTING
- 10 CONCEALED HINGE
- 15 ASSEMBLY SCREWS
- 16 WOOD FASTENING SCREWS
- 18 JOINT COATING
- 19 JOINT TAPE
- 20 FIBROUS INSULATION (OPTIONAL)



PRODUCT

INTEGRA SYSTEM

SERIES

1000

MODEL

INT1000-IS

10,087,674

DESCRIPTION

WOOD FRAME FOR SINGLE DOOR WITH INWARD SWING

DATE

2019-03-05

SCALE

ACTUAL DIMENSIONS

FILE NAME

DORR_INT1000-IS-EN

1 JAMB (HINGE SIDE)
ACTUAL DIMENSIONS